


PRODUCT SHEET

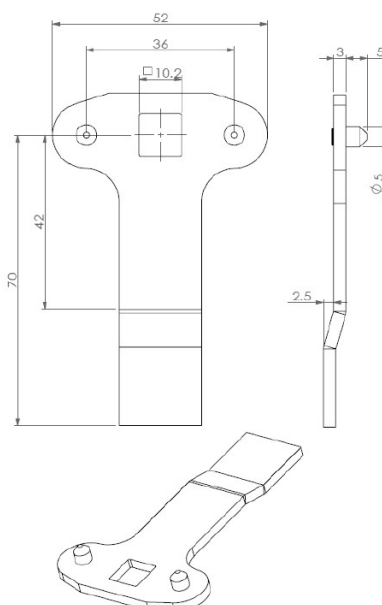
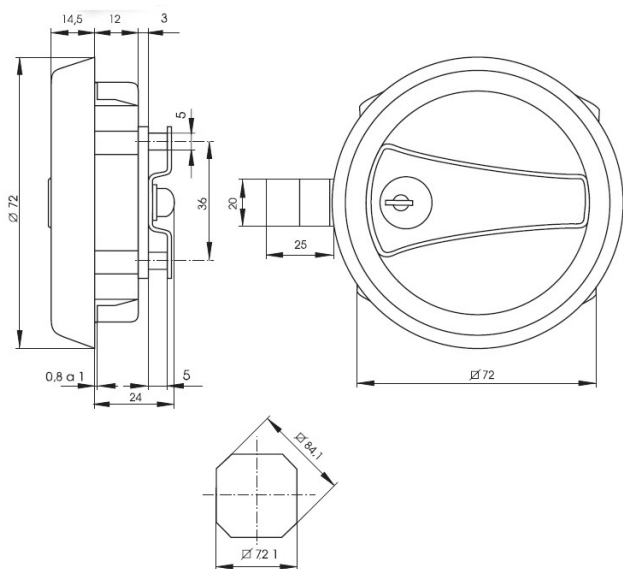
Description:

Locker Handle 8813, Alu/Black,CK SISO, KA D20, F/Metal Cab- inets, All Steel Parts Incl. Cylinder Front Alu Finish,, Plastic Parts Black, Cam Premounted 3 O'Clock, 90 DG Turn,, Cam No. H07

Item number:

14.08.021-1

| Units | Box | Carton | HS Code | Barcode |
|-------|-----|--------|------------|--|
| Pcs. | 5 | 100 | 8301300000 |  |
| | | | | 5704866044790 |



SISO A/S

Mileparken 11
DK-2740 Skovlunde
Denmark
VAT: DK 24786013

Phone +45 45 830 900

www.siso.dk
siso@siso.dk

Danske Bank
Nytorv Branch
Copenhagen
SWIFT: DABADKKK

Account no.
4180 3112 112936
IBAN Account
DK7230003112112936