


# PRODUCT SHEET

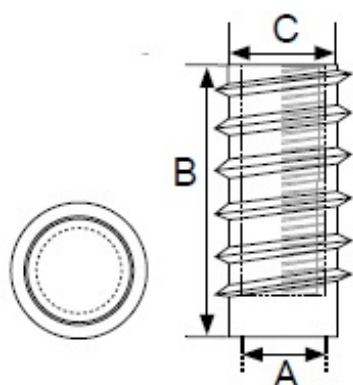
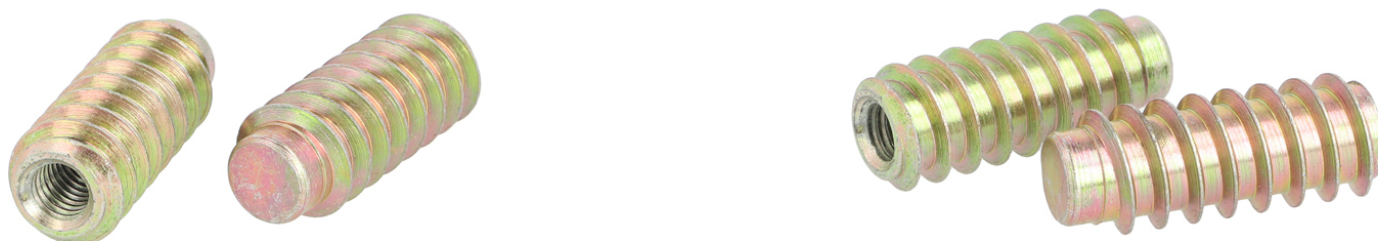
## Description:

Screw-In Bushing "BL-839", M8, Drill  $\varnothing$ 11,5x39mm, Steel, YZP

## Item number:

12.10.180-0

Units	Box	Carton	HS Code	Barcode
Pcs.	1	500	7318190090	
				5704866026628



A	B	C	Finish	Item No.
M8	30 mm	$\varnothing$ 11,5 mm	YZP	# 12.10.179
M8	39 mm	$\varnothing$ 11,5 mm	YZP	# 12.10.180