


# PRODUCT SHEET

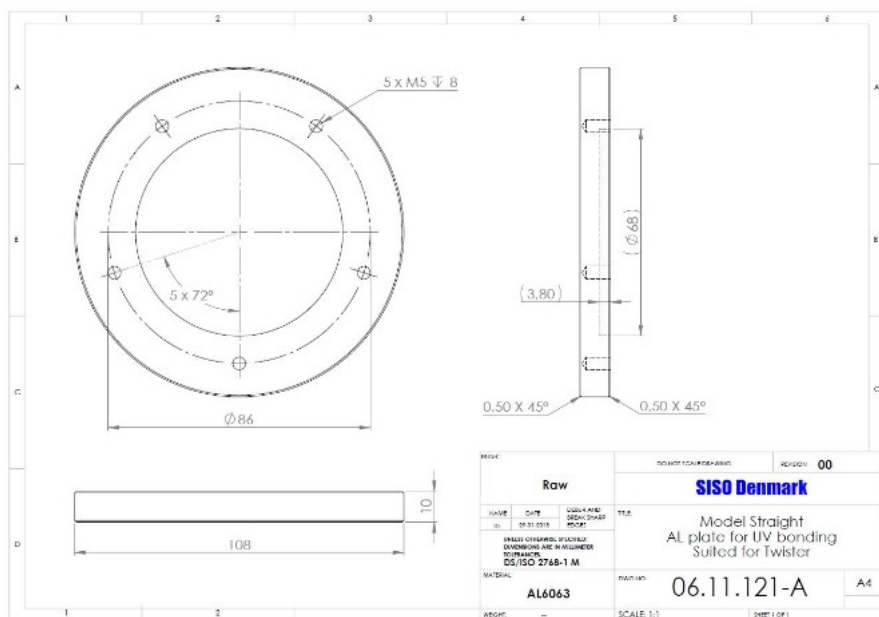
## Description:

Aluminum Disc F/Twister, F/UV-Glue,  $\varnothing 108 \times 10 \text{mm}$ , Fixing Holes, Twister Connector & Screws to be bought, Separately

## Item number:

06.11.121-0

Units	Box	Carton	HS Code	Barcode
Pcs.	1	100	7616991099	
				5704866459532



**SISO A/S**  
Mileparken 11  
DK-2740 Skovlunde  
Denmark  
VAT: DK24786013

Phone +45 45 830 900  
[www.siso.dk](http://www.siso.dk)  
[siso@siso.dk](mailto:siso@siso.dk)

Danske Bank  
Nytovr Branch  
Copenhagen  
SWIFT: DABADKKK

Account no.  
4180 3112 112936  
IBAN Account  
DK7230003112112936