


## PRODUCT SHEET

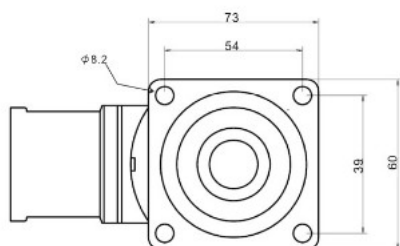
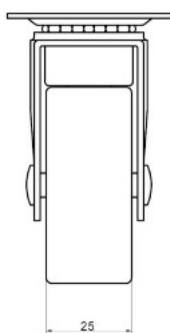
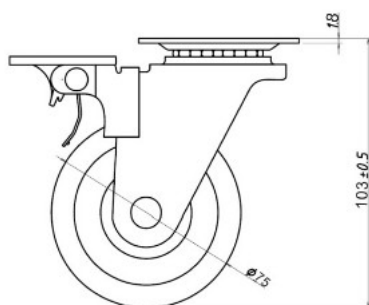
### Description:

Fork Castor "Nero"  $\varnothing 75$ mm, W/Top PL 73x60mm, W/Brake, MH 103mm Soft Rubber Track, Loading Capacity 50kg., cc: 54x39mm

### Item number:

08.12.387-0

Units	Box	Carton	HS Code	Barcode
Pcs.		50	8302200090	 5704866516075



### SISO A/S

Mileparken 11  
DK-2740 Skovlunde  
Denmark  
VAT: DK 24786013

Phone +45 45 830 900

[www.siso.dk](http://www.siso.dk)  
[siso@siso.dk](mailto:siso@siso.dk)

Danske Bank  
Nytorv Branch  
Copenhagen  
SWIFT: DABADKKK

Account no.  
4180 3112 112936  
IBAN Account  
DK7230003112112936