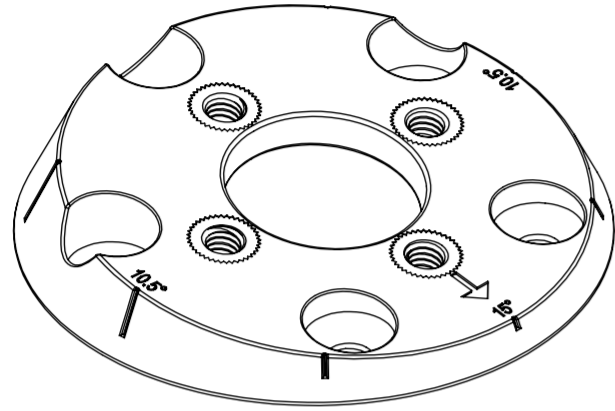


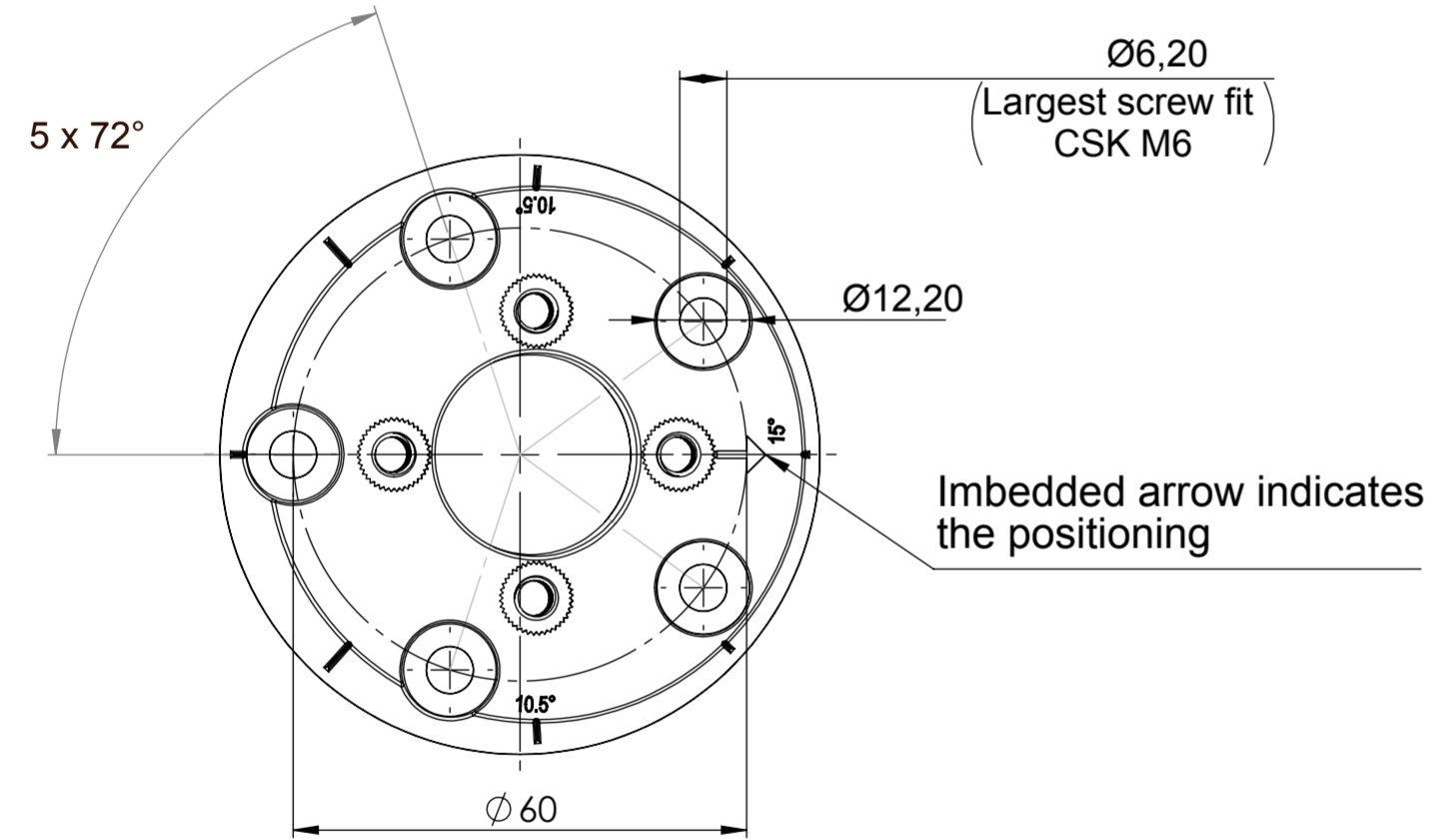
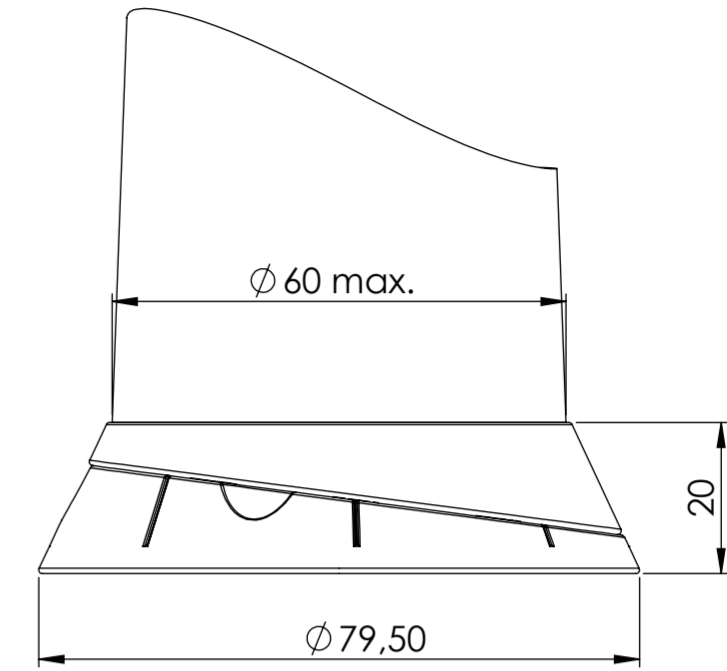
Basepart illustrated for installation detail.  
(all measurements in mm.)



# Twist´n Turn

Works in a 5 step range from 0° to 15°

- 0,0°
- 5,5°
- 10,5°
- 13,5°
- 15,0°



The 4 illustrated screws are included.  
Used to set the desired bracket angle  
before installing the leg

