

PRODUCT SHEET



Description

Flap Stay, "STRING", Model B, 60 N, Grey, W/Adjustable
Opening Angle & Soft Open & Self Closing Mechanism, For
Horizontal or Vertical Use, F/Left or Right Hand Use
Incl. Front Fixing Bracket - NPL, Max Flap Weight: 9 kg

SISO A/S
Mileparken 11
DK-2740 Skovlunde
Denmark
Phone: (+45) 45 830 900
Fax: (+45) 45 830 444
E-mail: siso@siso.dk
Web: www.siso.dk

Item number

15.10.360-0

Units	Box	Carton	HS Code	Barcode
-------	-----	--------	---------	---------

Pcs.

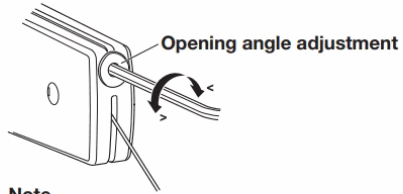
8302420090



5 704866 056809



Adjustment



Note

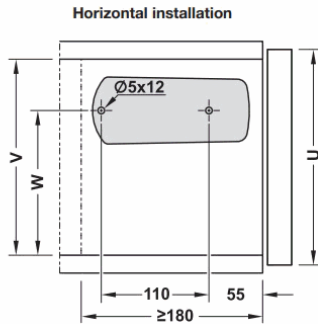
Ease door weight during adjustment.

Fitting

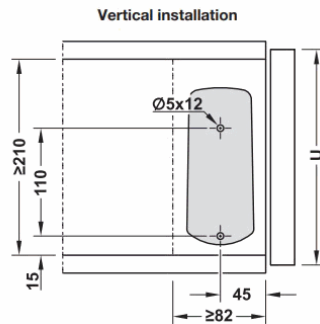
Material: Housing: Plastic; Front Fixing Brackets: Zinc Alloy
Finish: nickel-plated

Supplied With

Front fixing bracket
Mounting material

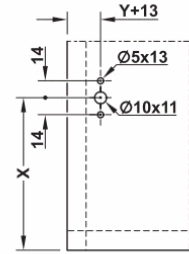
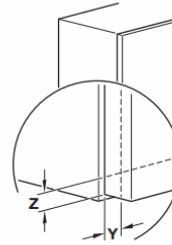


U	V	W	X
210-270	≥173	135	123 + Z
270-480	≥186	148	144 + Z



U	X
230-480	123 + Z

Front fixing



U = door height

V = internal cabinet height

W = drill hole height

X = center of front fixing

Y = lateral door overlay dimension

Z = bottom door overlay dimension