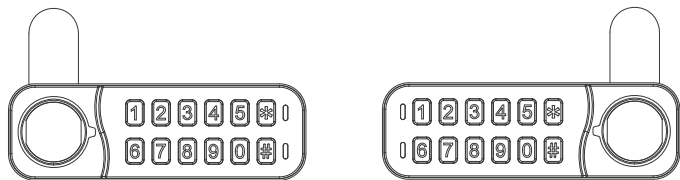
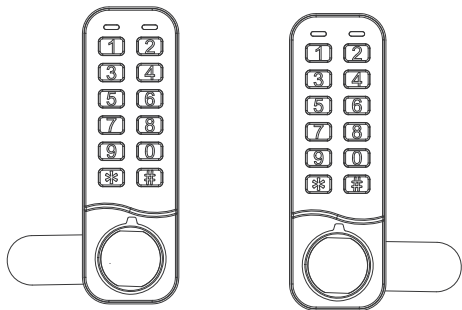
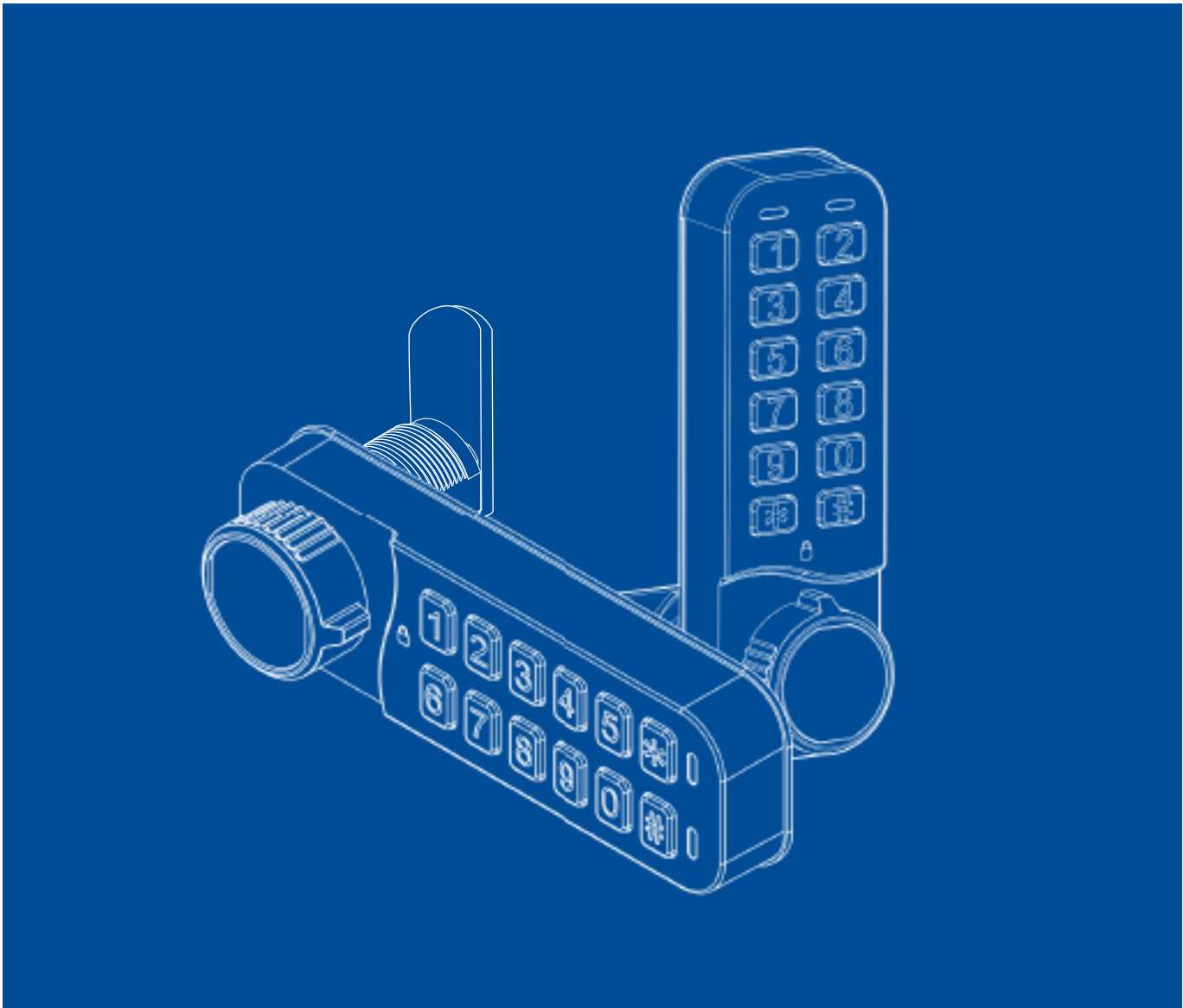




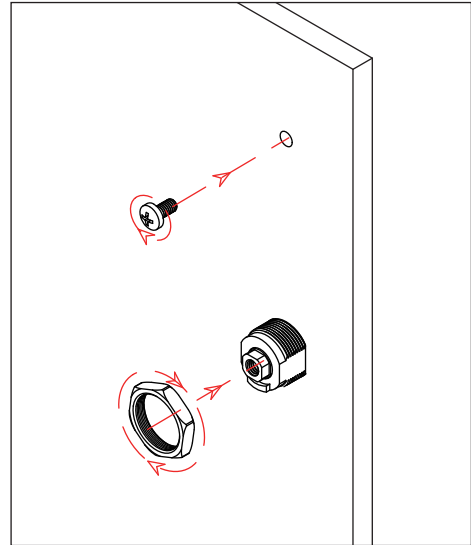
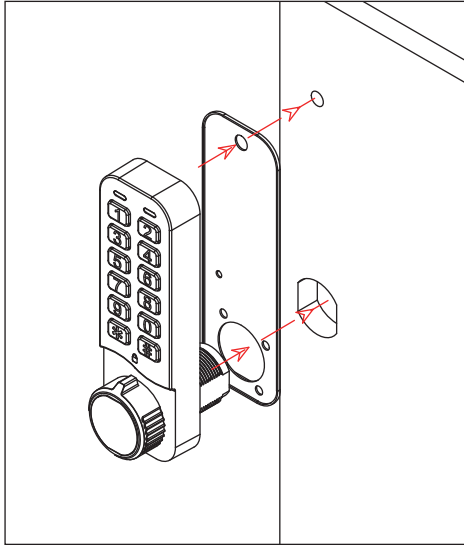
"VIC" ELECTRONIC KEYPAD LOCK

Installation Guide

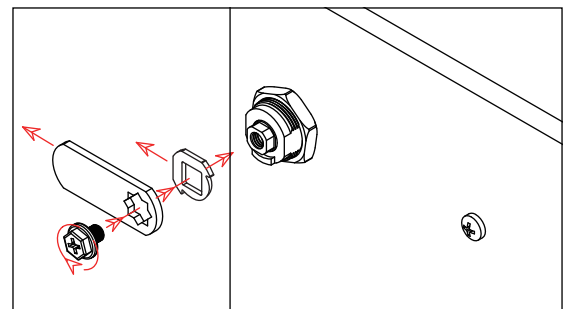
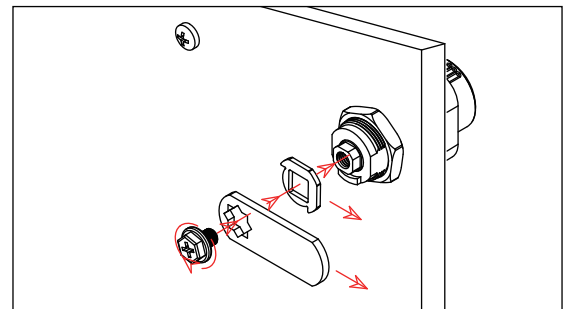
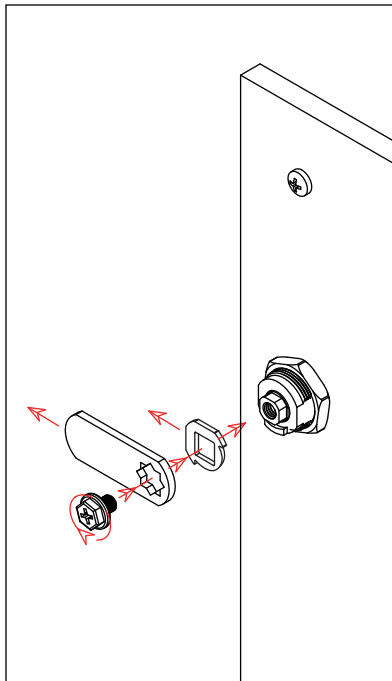
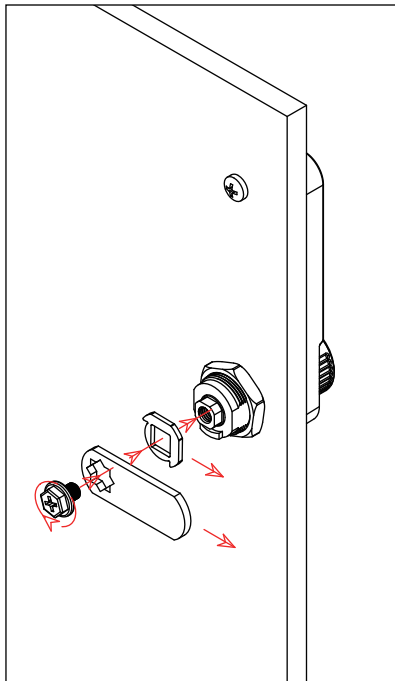


Installation Procedure

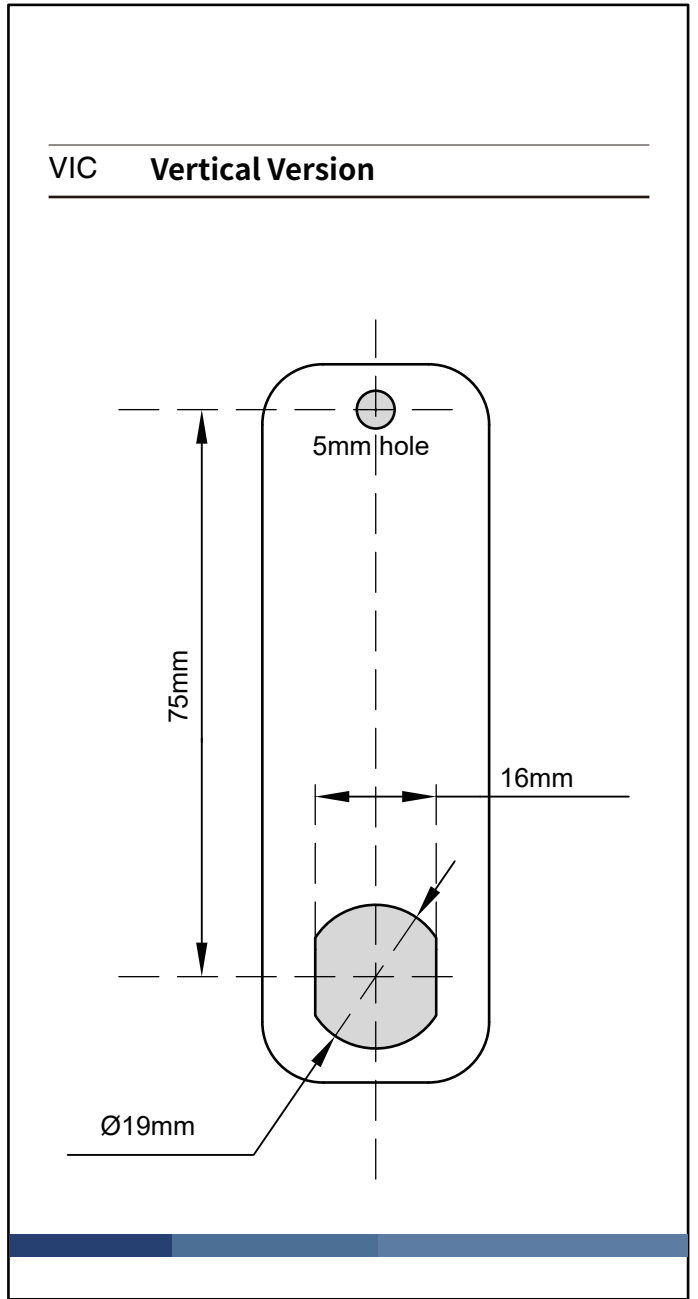
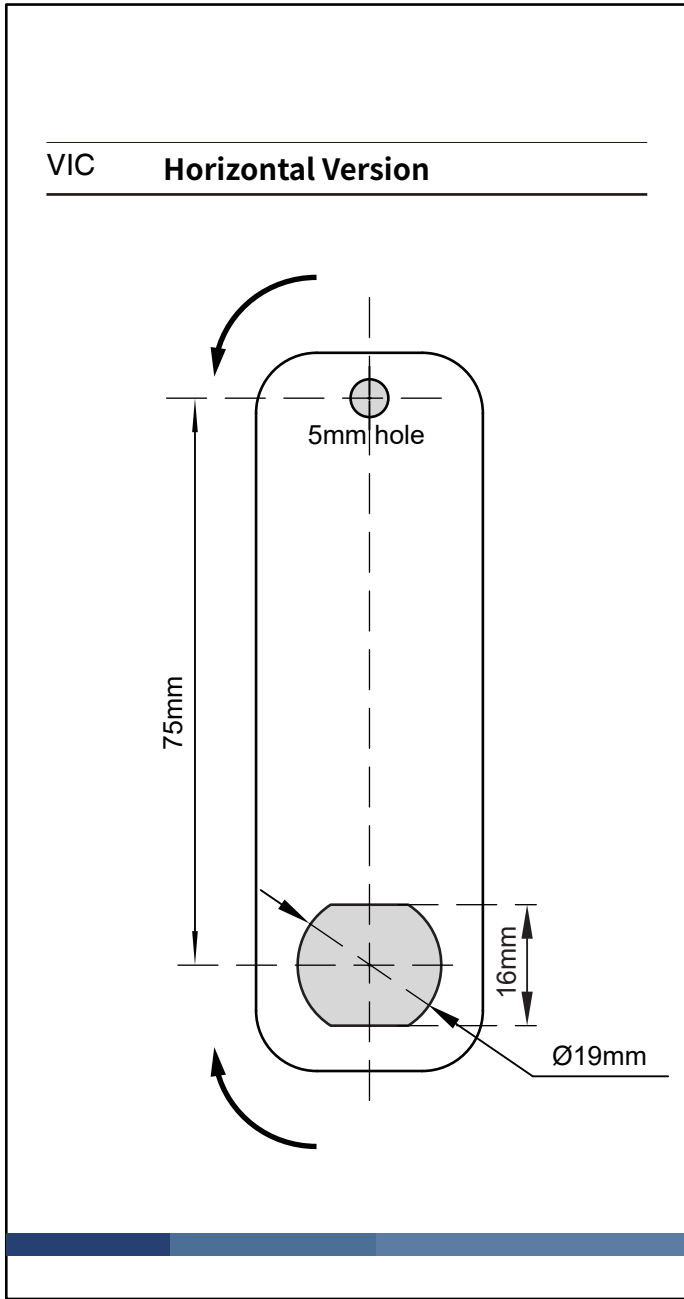
1. Lock Body



3. Cam

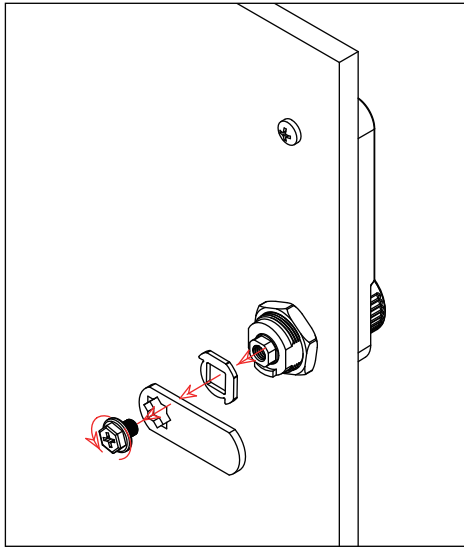


Installation Hole

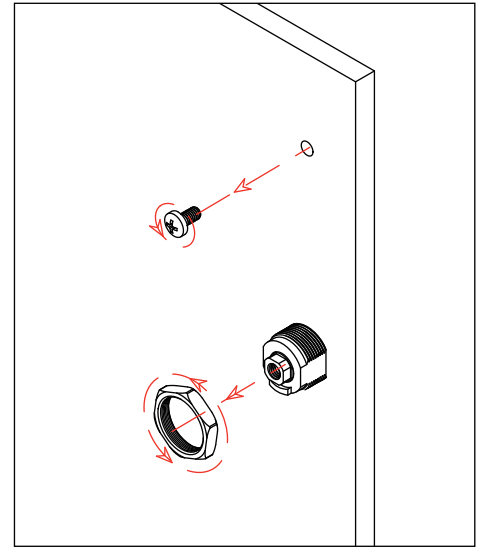


Battery Change

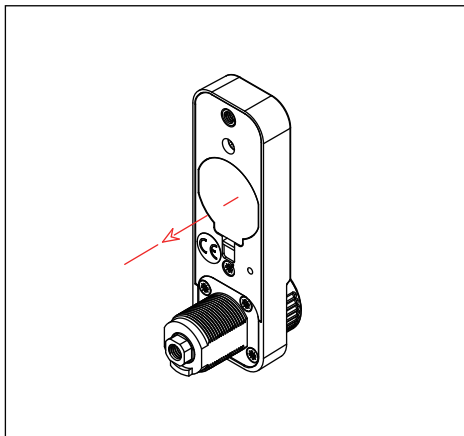
1. Take off the Cam



2. Take off the nut



3. Take out the battery cover and battery



4. Change new battery

