

TABLE SUPPORT "SWING"



- is ideal for extending your table or to be used as a table connector
- extendable in 2 directions – not only at the end of the table
- may swivel 360 degrees – has built-in 5 stops
- is a table support & leg connector combined in one product
- is ideal for in- & outdoor usage because it is made of stainless steel 304 & black ABS
- gives a tight and firm fit of the table leaves due to special hook connectors
- gives you the possibility of aligning the table leaves with the table top by use of special spacers
- gives you the possibility to design a table without a frame
- no need for a supporting leg under the table leaf



Material: SS-304 & Black ABS

Size:

Base: Ø 115 x 33 mm
Support arm: 20 x 453,5 x 25 mm

Recommended leg size: Ø 60 mm – F/M10 bolt

Item No.:

Table support # 24.03.210

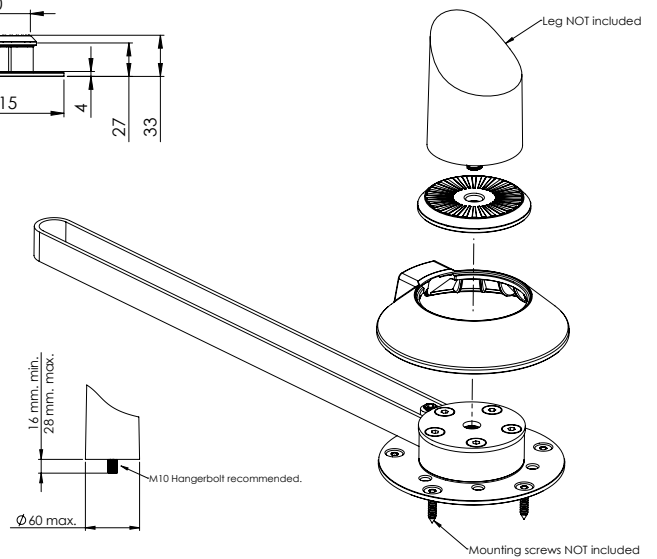
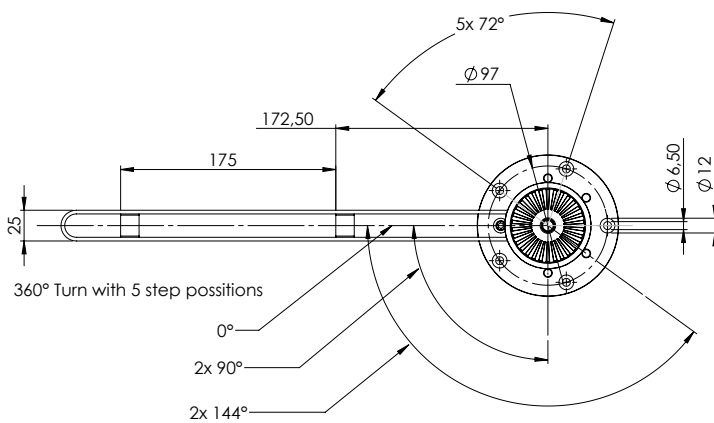
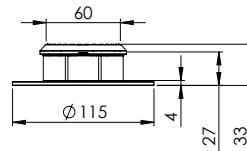
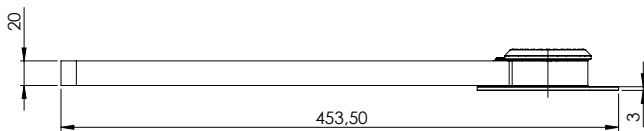
For 1 table you need:

4 x table supports
(covers and hook to be bought separately)



TABLE SUPPORT "SWING"

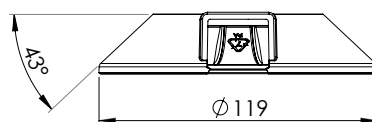
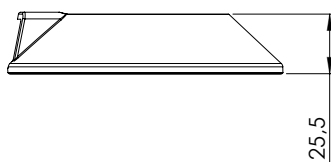
- high quality furniture fittings



COVER PLATE FOR "SWING"

To be clicked onto the swing base after fixing the support to the table top.

Material: Black ABS
Size: Ø 119 x 22,5 mm
Item No.: # 24.03.200
For 1 table you need: 4 x cover plates

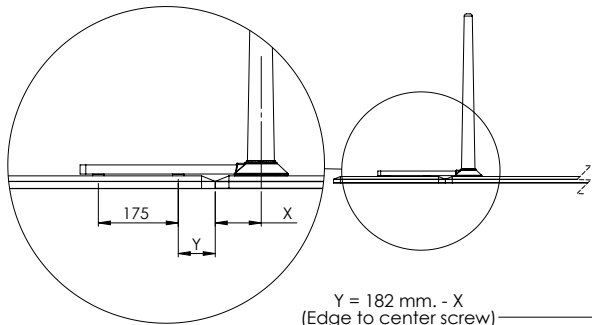


HOOK CONNECTOR FOR "SWING"

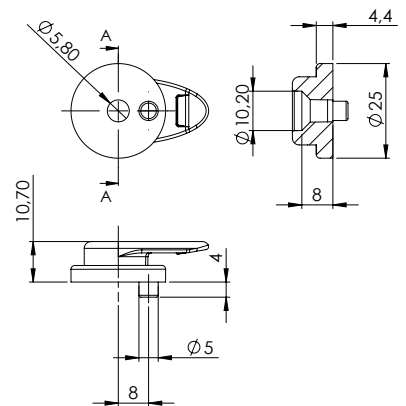
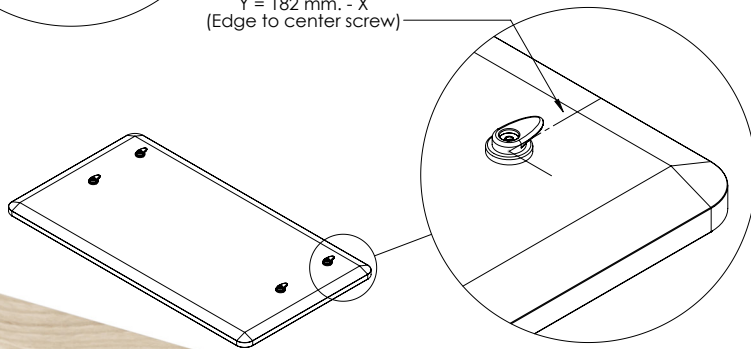
To be installed on the table leaves. Gives a tight and firm fit of the table leaves due to the wedge-shaped hook nose.

In case the table leaves are not aligned after installation the height can be adjusted by use of the special 0,3 mm spacers with adhesive tape.

Material: Black ABS
Size: Ø 25 x 11 mm
Item No.: # 24.03.205
 (1 connector + 1 spacer)
For 1 table you need: 8 x hook connectors



Y = 182 mm. - X
 (Edge to center screw)



PATENTED

WALL HANGER FOR "SWING"

To be used if you want to hang up your table leaves for storage or decoration reasons.
May be installed in 3 different directions. Vertical or sideways (left/right)



Material:	Black ABS
Size:	33 x 50 x 15 mm
Item No.:	# 24.03.208

