


PRODUCT SHEET

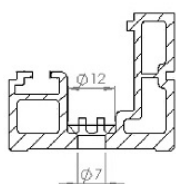
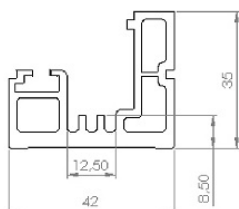
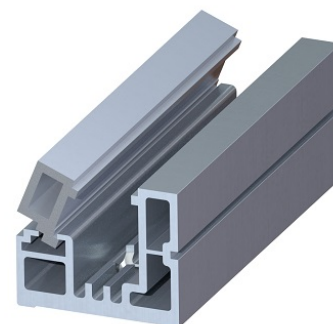
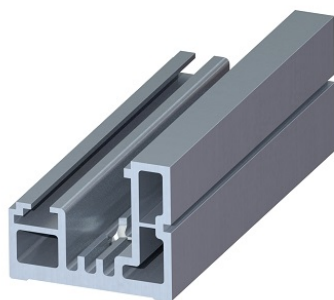
Description:

Alu. Anodized Glas Wall Profile, 3200mm, F/"Zapp", 8mm Glass

Item number:

28.25.306-0

Units	Box	Carton	HS Code	Barcode
Pcs.	1	6	7604299090	 5704866472562



Predrilled CSK holes
CC 400 mm.

