


# PRODUCT SHEET

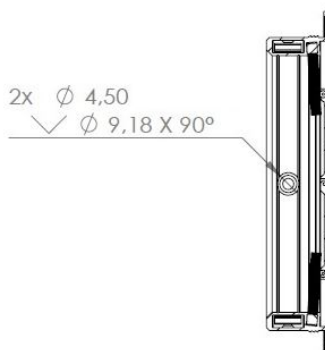
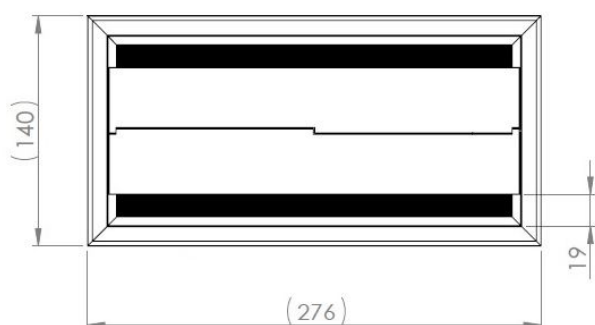
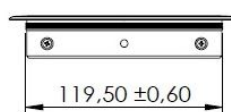
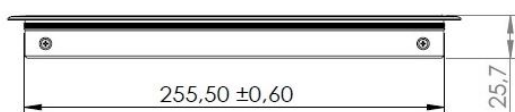
**Description:**

Alu. Grommet "Jive" 276x140x25,7mm, With Screws & Bumper

**Item number:**

25.20.370-0

Units	Box	Carton	HS Code	Barcode
Pcs.	1	80	7616991099	 5704866468862



**SISO A/S**

Mileparken 11  
DK-2740 Skovlunde  
Denmark  
VAT: DK 24786013

Phone +45 45 830 900

www.siso.dk  
siso@siso.dk

Danske Bank  
Nytorv Branch  
Copenhagen  
SWIFT: DABADKKK

Account no.  
4180 3112 112936  
IBAN Account  
DK7230003112112936