


PRODUCT SHEET

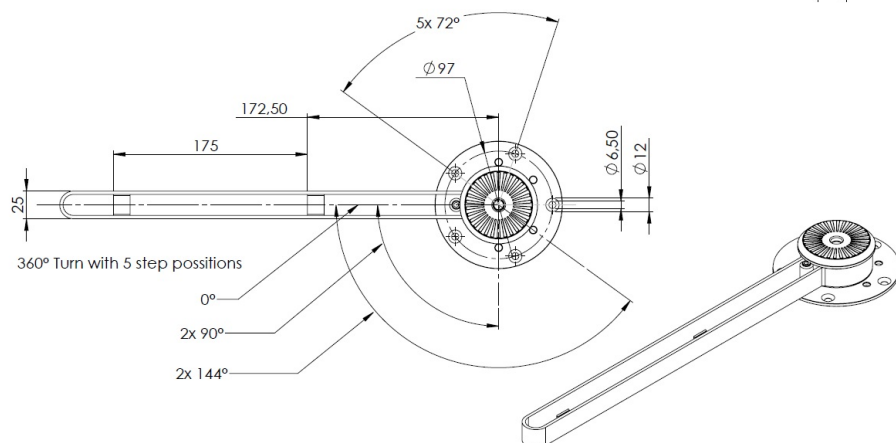
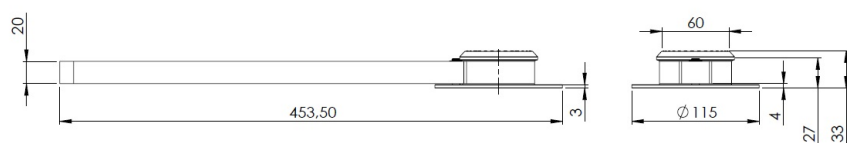
Description:

Table Support "Swing", For Table Tops, SS-304 Brushed

Item number:

24.03.210-0

Units	Box	Carton	HS Code	Barcode
Pcs.	4	20	8302420090	
				5704866504690



SISO A/S

Mileparken 11
DK-2740 Skovlunde
Denmark
VAT: DK 24786013

Phone +45 45 830 900

www.siso.dk
siso@siso.dk

Danske Bank
Nytorv Branch
Copenhagen
SWIFT: DABADKKK

Account no.
4180 3112 112936
IBAN Account
DK7230003112112936