


# PRODUCT SHEET

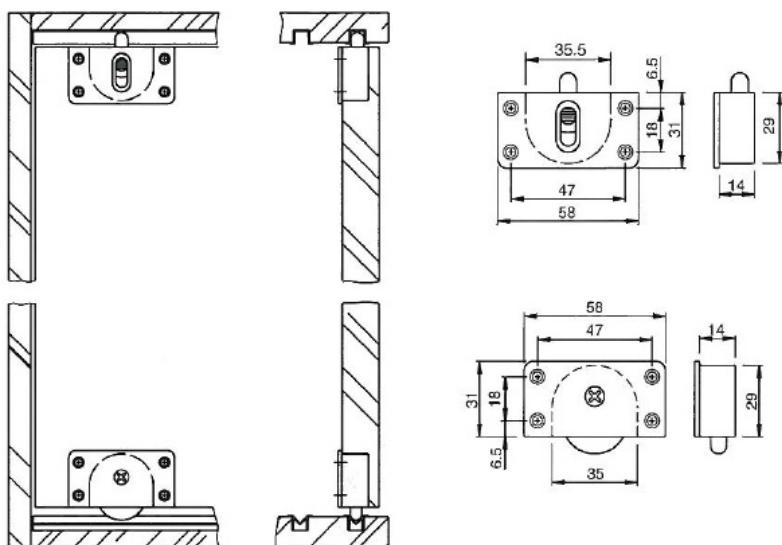
## Description:

Sliding Door Fitting, Brown, 1 x Guide & 1 x Roller, 20 Kg

## Item number:

22.27.116-0

| Units | Box | Carton | HS Code    | Barcode  |
|-------|-----|--------|------------|--|
| Set   | 0   | 200    | 8302420090 |  |
|       |     |        |            | 5704866086394  |



## SISO A/S

Mileparken 11  
DK-2740 Skovlunde  
Denmark  
VAT: DK 24786013

Phone +45 45 830 900

[www.siso.dk](http://www.siso.dk)  
[siso@siso.dk](mailto:siso@siso.dk)

Danske Bank  
Nytorv Branch  
Copenhagen  
SWIFT: DABADKKK

Account no.  
4180 3112 112936  
IBAN Account  
DK7230003112112936