


# PRODUCT SHEET

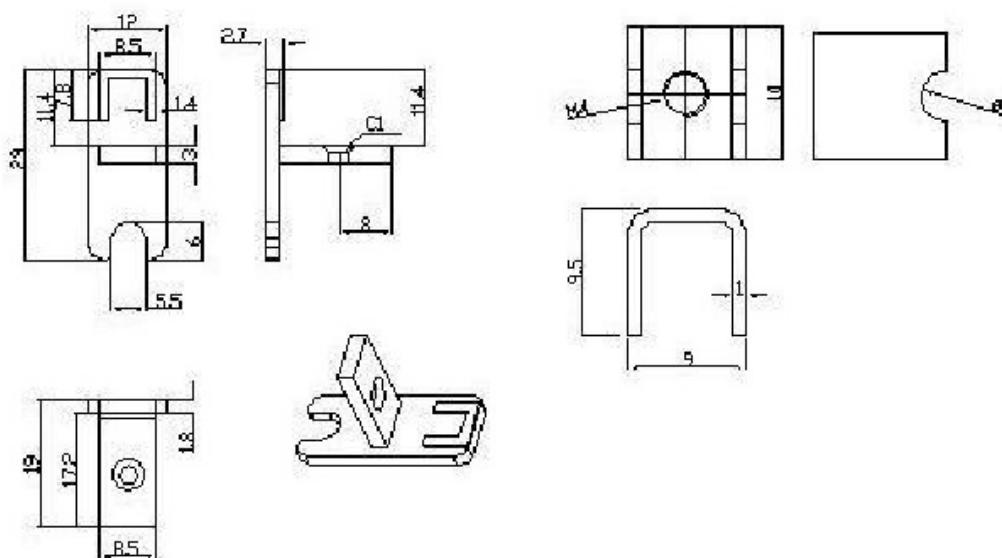
**Description:**

End Cap For H-Glass Rail, Model #2010, Zamak, Alu Finish

**Item number:**

22.26.052-1

Units	Box	Carton	HS Code	Barcode
Pcs.	100	1000	8302420090	 5704866485920



**SISO A/S**

Mileparken 11  
DK-2740 Skovlunde  
Denmark  
VAT: DK 24786013

Phone +45 45 830 900

www.siso.dk  
siso@siso.dk

Danske Bank  
Nytorv Branch  
Copenhagen  
SWIFT: DABADKKK

Account no.  
4180 3112 112936  
IBAN Account  
DK7230003112112936