


PRODUCT SHEET

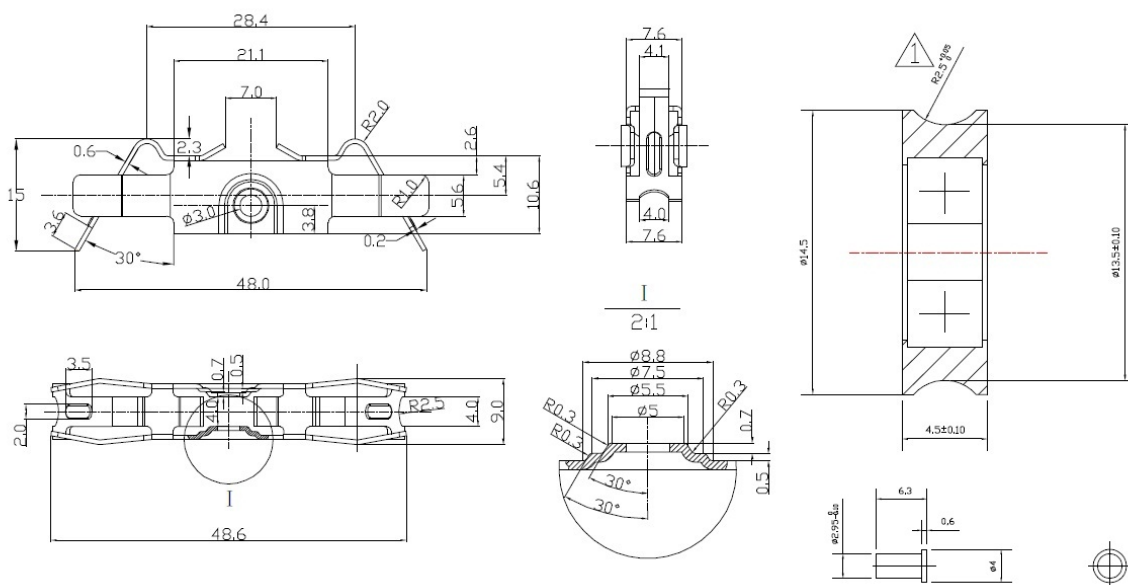
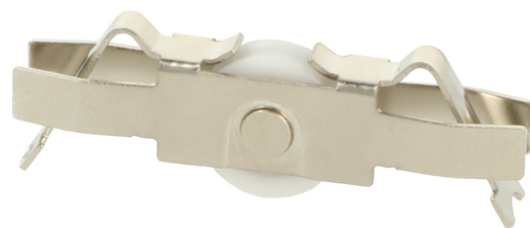
Description:

Trolley W/Nylon Wheel, F/Glass Sliding System #2740PS, BZP

Item number:

22.26.043-0

Units	Box	Carton	HS Code	Barcode
Pcs.	100	1000	8302420090	
				5704866103084



SISO A/S

Mileparken 11
DK-2740 Skovlunde
Denmark
VAT: DK 24786013

Phone +45 45 830 900

www.siso.dk
siso@siso.dk

Danske Bank
Nytrov Branch
Copenhagen
SWIFT: DABADKKK

Account no.
4180 3112 112936
IBAN Account
DK7230003112112936