


PRODUCT SHEET

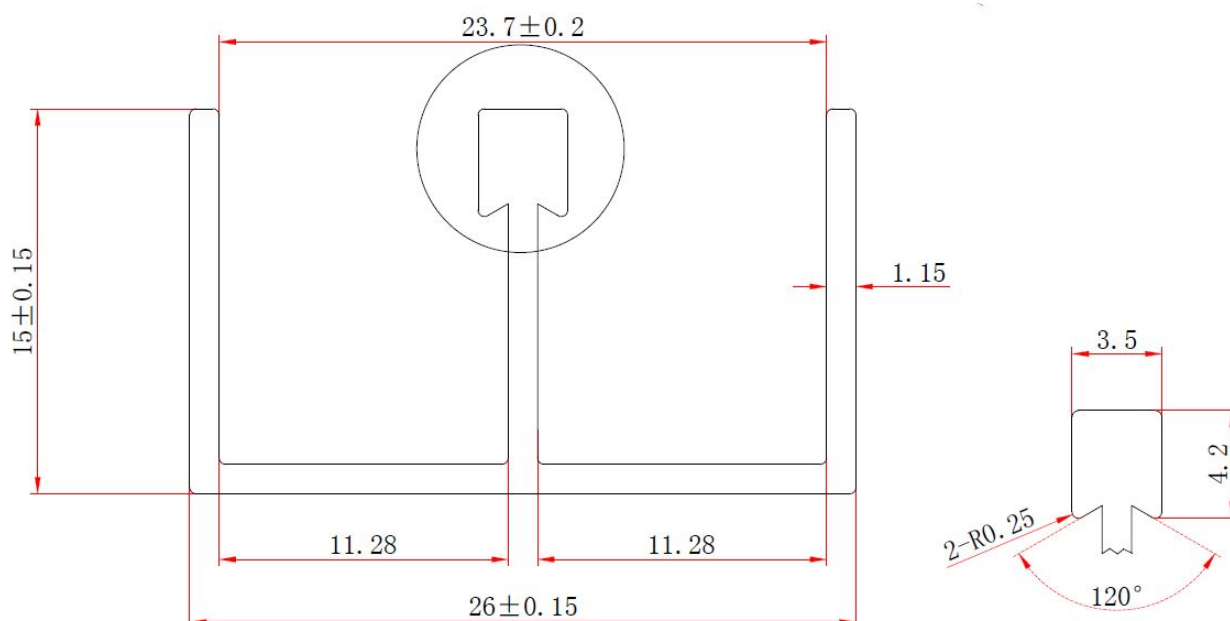
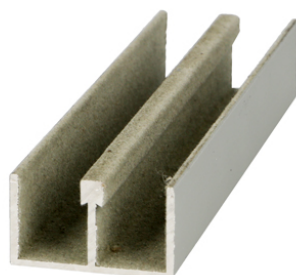
Description:

Top Alu E-Track, W/Felt, F/Glass System #2740, 2 Meters

Item number:

22.26.011-0

Units	Box	Carton	HS Code	Barcode
Pcs.	1	30	7604299090	
				5704866085830



SISO A/S

Mileparken 11
DK-2740 Skovlunde
Denmark
VAT: DK 24786013

Phone +45 45 830 900

www.siso.dk
siso@siso.dk

Danske Bank
Nytorv Branch
Copenhagen
SWIFT: DABADKKK

Account no.
4180 3112 112936
IBAN Account
DK7230003112112936