


# PRODUCT SHEET

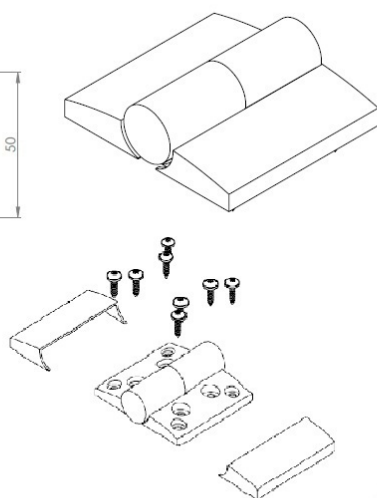
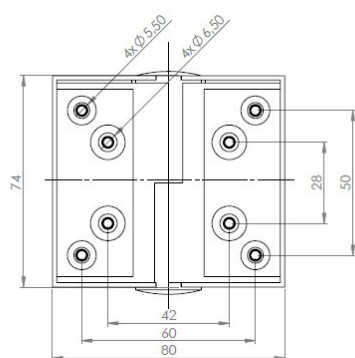
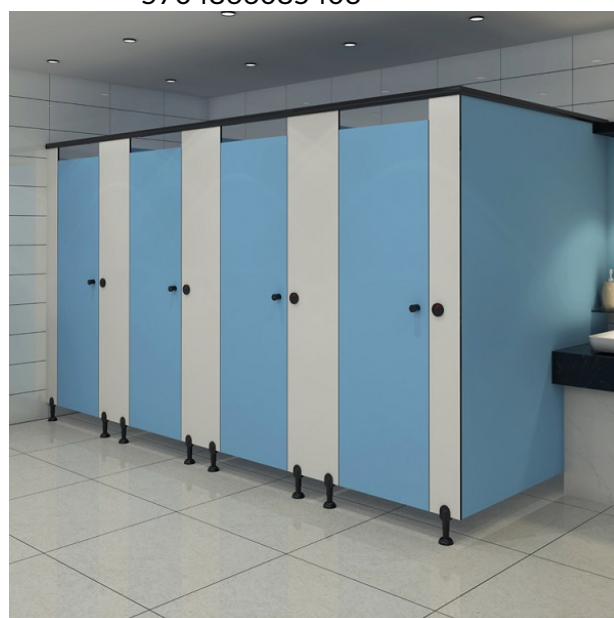
## Description:

Toilet Cubicle Fit, Black, PP, Left, Leg 115-135mm, Consist off 2 Handles, 1 Hook , 1 Lock, 12 Angle Brackets, 2 Hinges, & 2 Stands, F/12-18mm Panels, F/Left Hand Doors

## Item number:

22.23.060-1

Units	Box	Carton	HS Code	Barcode
Set	1	20	3925901000	
				5704866085403



Left side hinges

