


PRODUCT SHEET

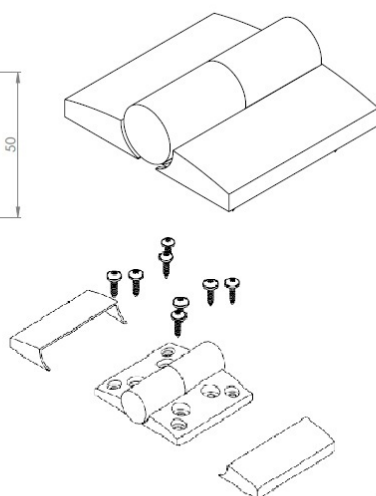
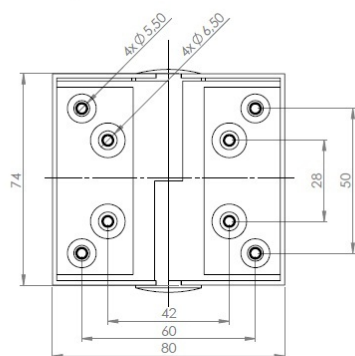
Description:

Toilet Cubicle Fit, Grey, PP, Right, Leg 115-135mm, Consist off 2 Handles, 1 Hook , 1 Lock, 12 Angle Brackets, 2 Hinges, & 2 Stands, F/12-18mm Panels, F/Right Hand Doors

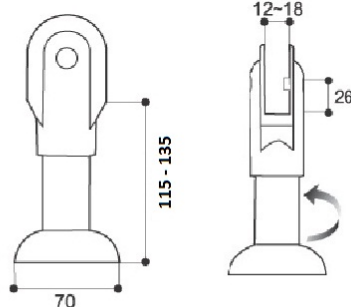
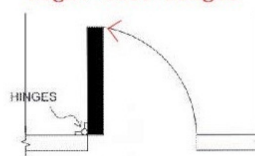
Item number:

22.23.051-1

Units	Box	Carton	HS Code	Barcode
Set	1	20	3925901000	
5704866437943				



Right side hinges



SISO A/S

Mileparken 11
DK-2740 Skovlunde
Denmark
VAT: DK 24786013

Phone +45 45 830 900

www.siso.dk
siso@siso.dk

Danske Bank
Nytorv Branch
Copenhagen
SWIFT: DABADKKK

Account no.
4180 3112 112936
IBAN Account
DK7230003112112936