


PRODUCT SHEET

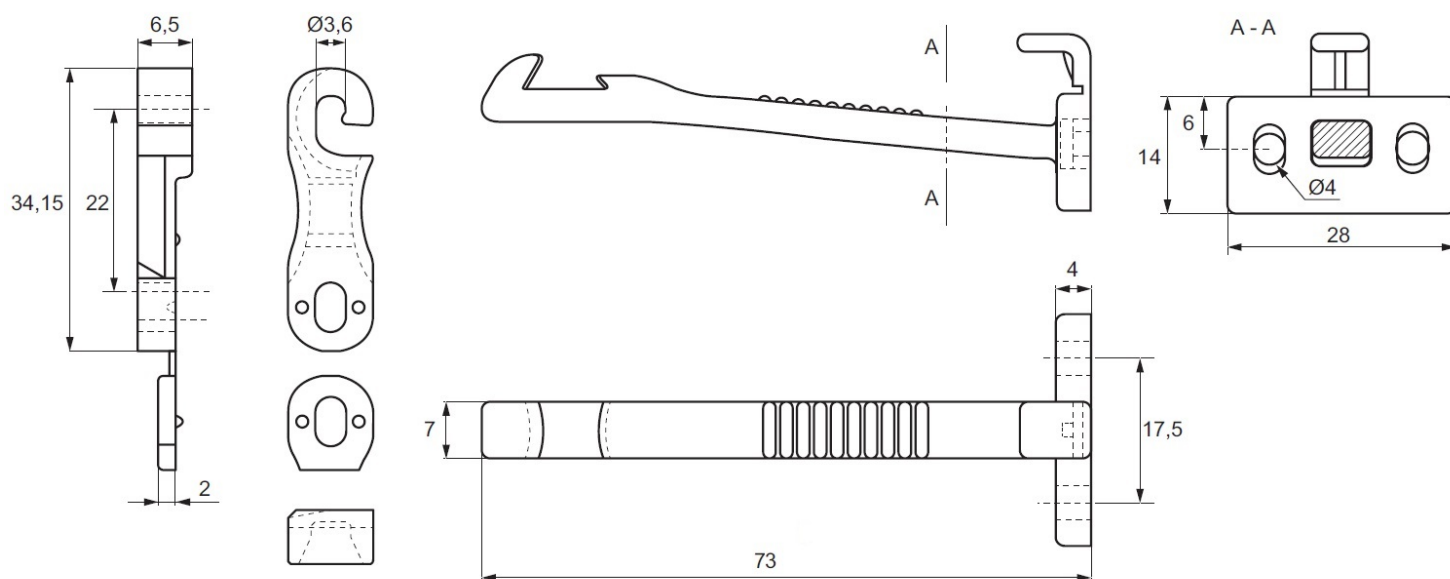
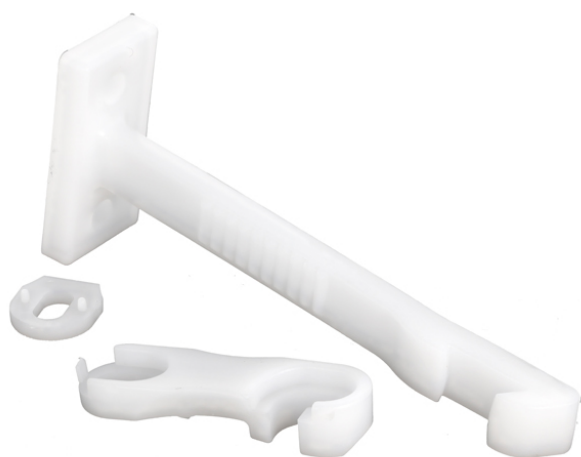
Description:

Drawer Stop F/Childrens Safety, White POM, No Screws

Item number:

22.04.110-0

Units	Box	Carton	HS Code	Barcode
Pcs.	1	1000	3926909790	
				5704866080576



SISO A/S

Mileparken 11
DK-2740 Skovlunde
Denmark
VAT: DK 24786013

Phone +45 45 830 900

www.siso.dk
siso@siso.dk

Danske Bank
Nytorv Branch
Copenhagen
SWIFT: DABADKKK

Account no.
4180 3112 112936
IBAN Account
DK7230003112112936