


PRODUCT SHEET

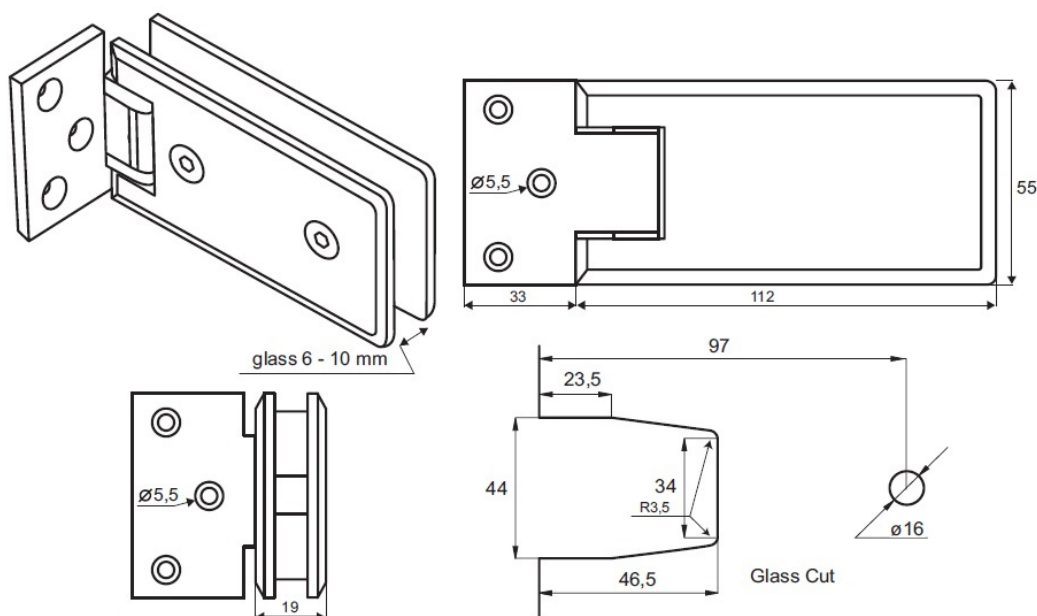
Description:

Shower Hinge "Linz", Wall/Glass,SS-Look, No Adjustment, Off- set Back Plate, 3 Holes, 6-10mm Glass Thickness, No Angle, Adjustment Function but 25DG Return Function,Brass Material,, Rectangular Shape, w/Chamferede Edges

Item number:

15.23.845-9

Units	Box	Carton	HS Code	Barcode
Pcs.	1	20	8302100090	
				5704866060080



SISO A/S

Mileparken 11
DK-2740 Skovlunde
Denmark
VAT: DK 24786013

Phone +45 45 830 900

www.siso.dk
siso@siso.dk

Danske Bank
Nytorv Branch
Copenhagen
SWIFT: DABADKKK

Account no.
4180 3112 112936
IBAN Account
DK7230003112112936