


PRODUCT SHEET

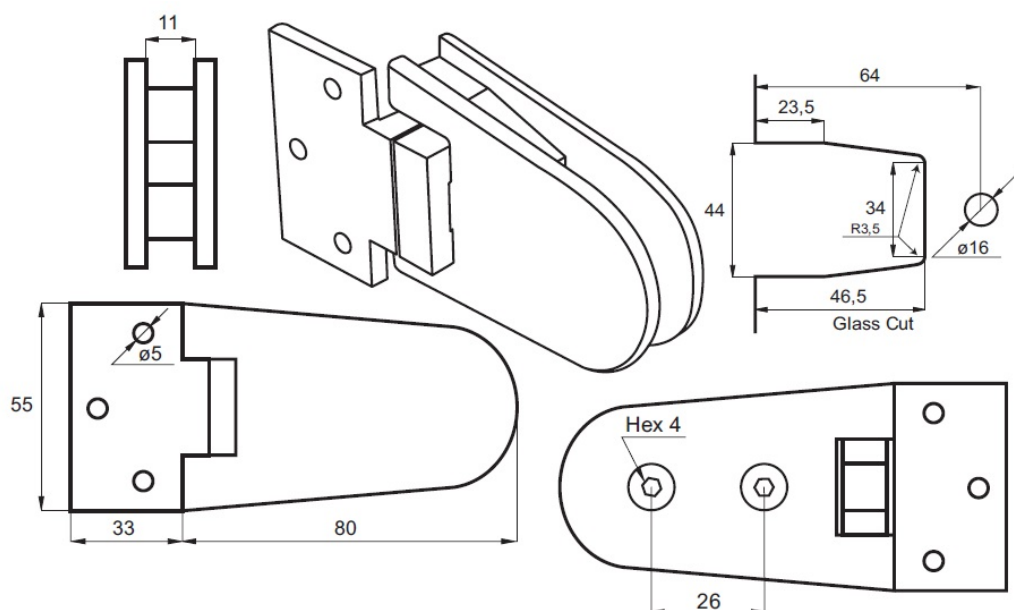
Description:

Shower Hinge "Zug", Wall/Glass, Alu-Look, 3 Holes, Offset Narrow Plate, F/6-10mm Glass, W/Angle Adjustment Function, & 25 Degree Return Function, Brass Material, Oval Shape, W/Straight Edges

Item number:

15.23.012-0

Units	Box	Carton	HS Code	Barcode
Pcs.		20	8302100090	 5704866059336



SISO A/S

Mileparken 11
DK-2740 Skovlunde
Denmark
VAT: DK 24786013

Phone +45 45 830 900

www.siso.dk
siso@siso.dk

Danske Bank
Nytorv Branch
Copenhagen
SWIFT: DABADKKK

Account no.
4180 3112 112936
IBAN Account
DK7230003112112936