


# PRODUCT SHEET

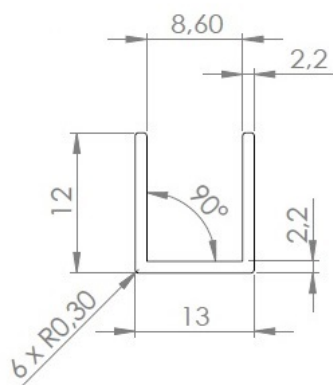
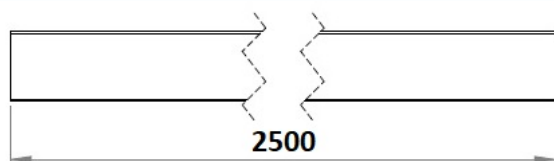
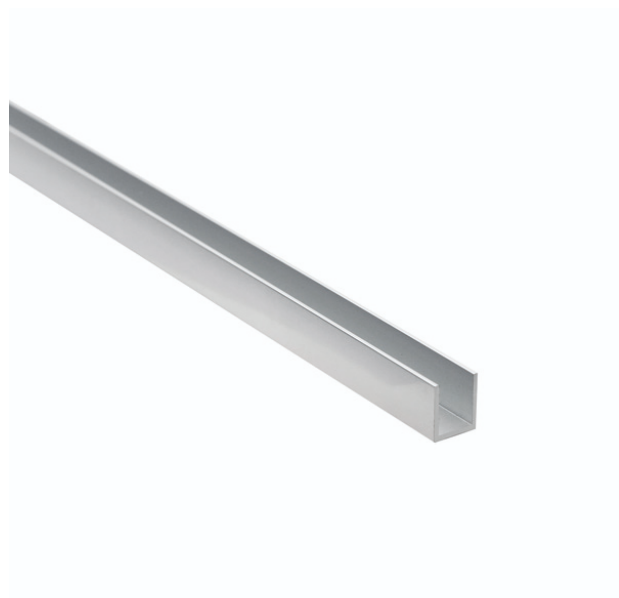
## Description:

Alu. U-Channel, F/8mm Glass, Pol. Alu, 2,5 Mtr, 2,2x12x13mm (T/H/W)

## Item number:

15.22.507-1

| Units | Box | Carton | HS Code    | Barcode   |
|-------|-----|--------|------------|---|
| Pcs.  | 1   | 50     | 7604299090 | <br>5704866509077 |



## SISO A/S

Mileparken 11  
DK-2740 Skovlunde  
Denmark  
VAT: DK 24786013

Phone +45 45 830 900

[www.siso.dk](http://www.siso.dk)  
[siso@siso.dk](mailto:siso@siso.dk)

Danske Bank  
Nytorv Branch  
Copenhagen  
SWIFT: DABADKKK

Account no.  
4180 3112 112936  
IBAN Account  
DK7230003112112936