


PRODUCT SHEET

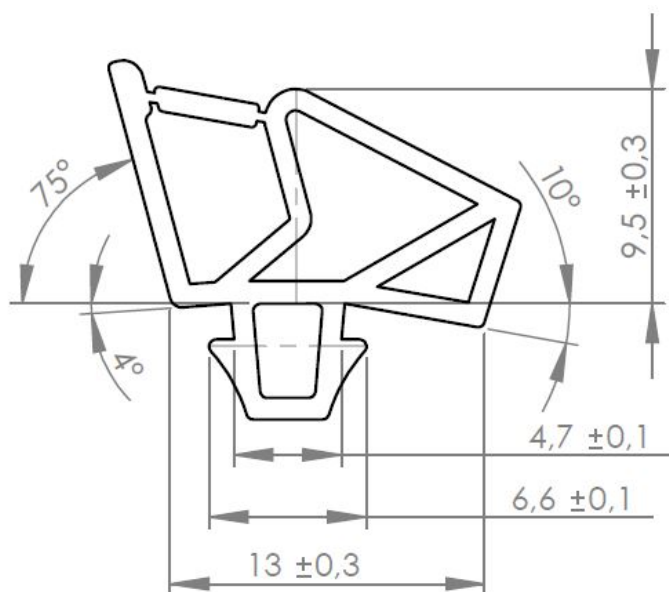
Description:

Sealing Profile F/"Zapp" System, Grey PVC, 3x20=60 Mtr.

Item number:

15.22.410-1

Units	Box	Carton	HS Code	Barcode
Rl.	1	1	3904210090	
				5704866462204



SISO A/S

Mileparken 11
DK-2740 Skovlunde
Denmark
VAT: DK 24786013

Phone +45 45 830 900

www.siso.dk
siso@siso.dk

Danske Bank
Nytorv Branch
Copenhagen
SWIFT: DABADKKK

Account no.
4180 3112 112936
IBAN Account
DK7230003112112936