


# PRODUCT SHEET

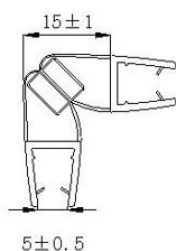
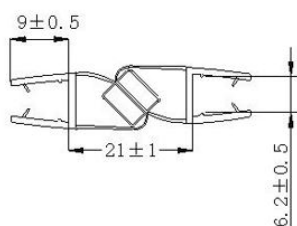
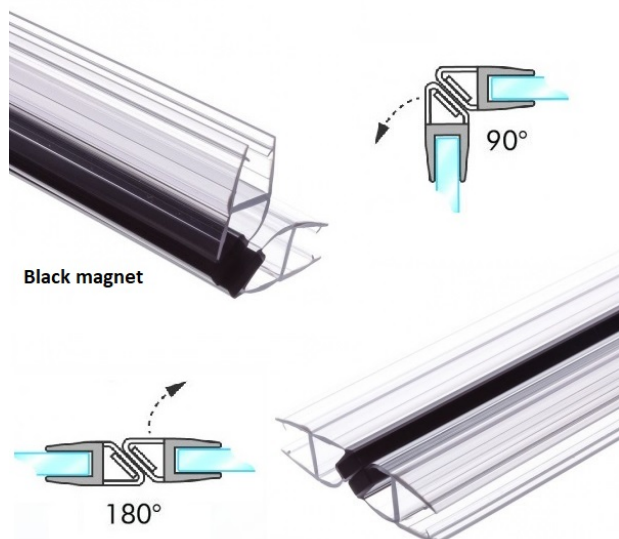
## Description:

PVC Seal Glass To Glass, Black Magnet, 90/180DG, S-5711, F/6 mm Glass, 2,5 Mtr.

## Item number:

15.22.305-9

Units	Box	Carton	HS Code	Barcode
Pair	4	16	3925901000	 5704866489522



## SISO A/S

Mileparken 11  
DK-2740 Skovlunde  
Denmark  
VAT: DK 24786013

Phone +45 45 830 900

[www.siso.dk](http://www.siso.dk)  
[siso@siso.dk](mailto:siso@siso.dk)

Danske Bank  
Nytorv Branch  
Copenhagen  
SWIFT: DABADKKK

Account no.  
4180 3112 112936  
IBAN Account  
DK7230003112112936