


# PRODUCT SHEET

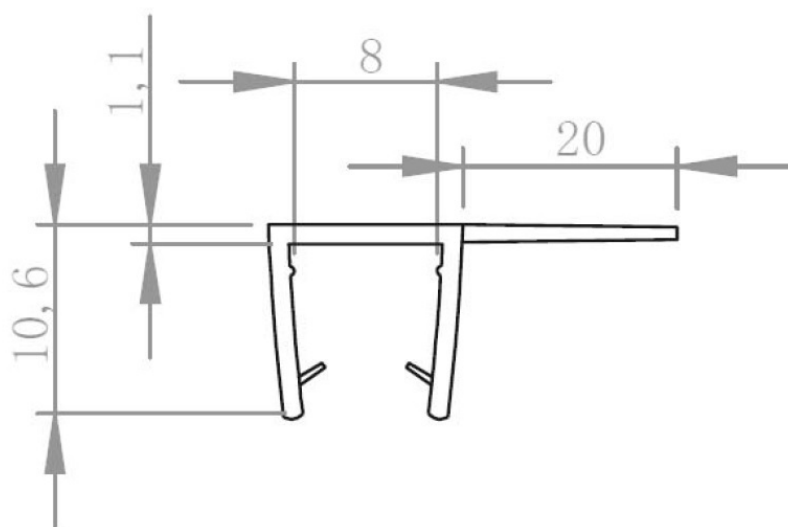
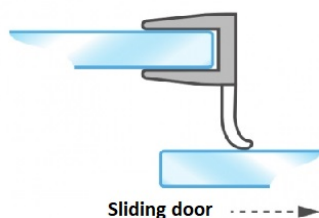
## Description:

PVC Seal Glass To Glass, S-5700, 2,5 Mtr, F/8mm Glass, W/20 Soft Fin

## Item number:

15.22.252-0

| Units | Box | Carton | HS Code    | Barcode                                                                            |
|-------|-----|--------|------------|------------------------------------------------------------------------------------|
| Pcs.  | 10  | 80     | 3925901000 |  |
|       |     |        |            | 5704866483988                                                                      |



### SISO A/S

Mileparken 11  
DK-2740 Skovlunde  
Denmark  
VAT: DK 24786013

Phone +45 45 830 900

[www.siso.dk](http://www.siso.dk)  
[siso@siso.dk](mailto:siso@siso.dk)

Danske Bank  
Nytorv Branch  
Copenhagen  
SWIFT: DABADKKK

Account no.  
4180 3112 112936  
IBAN Account  
DK7230003112112936