


# PRODUCT SHEET

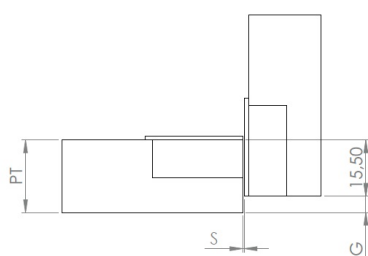
## Description:

Flap Hinge  $\varnothing 30 \times 10 \text{ mm}$ , Zamak, Antique Bronze, Detachable

## Item number:

15.09.077-0

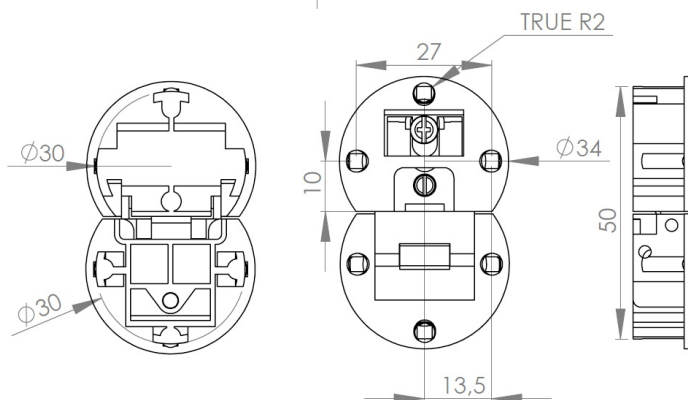
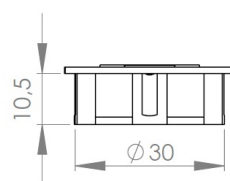
Units	Box	Carton	HS Code	Barcode
Pcs.	30	300	8302100090	
5704866481502				



S: Adjustable 0 - 2,50 mm



PT = Plate thickness	G = Gap
16 mm	0,50 mm
17 mm	1,50 mm
18 mm	2,50 mm
19 mm	3,50 mm
20 mm	4,50 mm
21 mm	5,50 mm
22 mm	6,50 mm



## SISO A/S

Mileparken 11  
DK-2740 Skovlunde  
Denmark  
VAT: DK 24786013

Phone +45 45 830 900

www.siso.dk  
siso@siso.dk

Danske Bank  
Nytorv Branch  
Copenhagen  
SWIFT: DABADKKK

Account no.  
4180 3112 112936  
IBAN Account  
DK7230003112112936