


PRODUCT SHEET

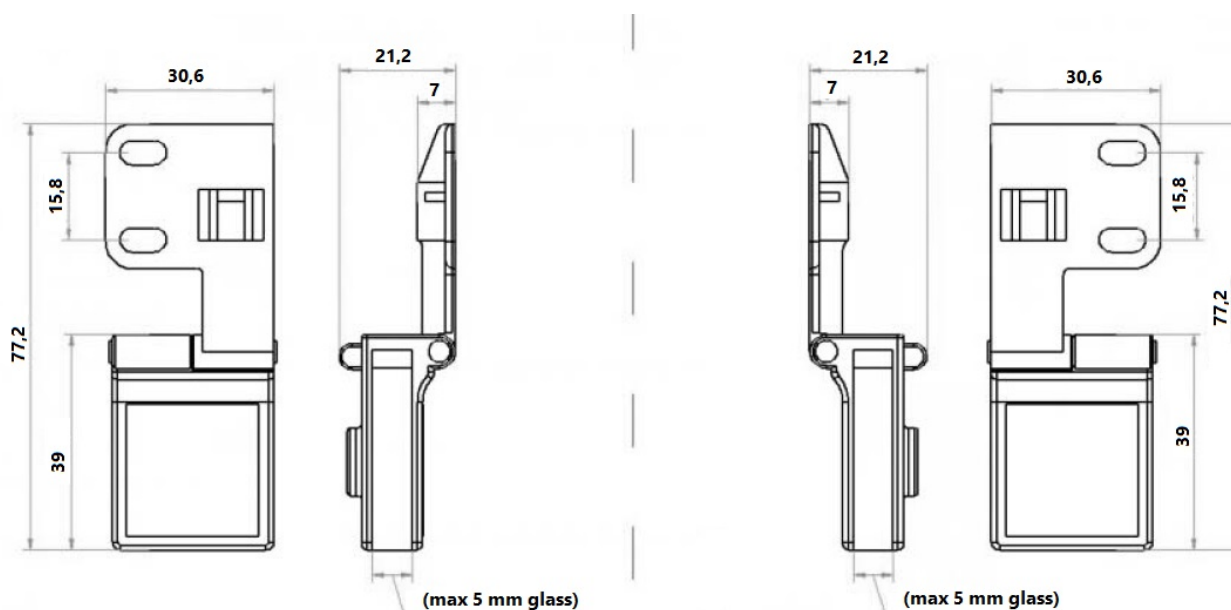
Description:

Glass Door Hinge D-13/2, Zamak, Top+Bottom, Chrome Plated

Item number:

15.06.102-0

Units	Box	Carton	HS Code	Barcode
Pair	25	250	8302100090	 5704866459013



SISO A/S

Mileparken 11
DK-2740 Skovlunde
Denmark
VAT: DK 24786013

Phone +45 45 830 900

www.siso.dk
siso@siso.dk

Danske Bank
Nytorv Branch
Copenhagen
SWIFT: DABADKKK

Account no.
4180 3112 112936
IBAN Account
DK7230003112112936