


PRODUCT SHEET

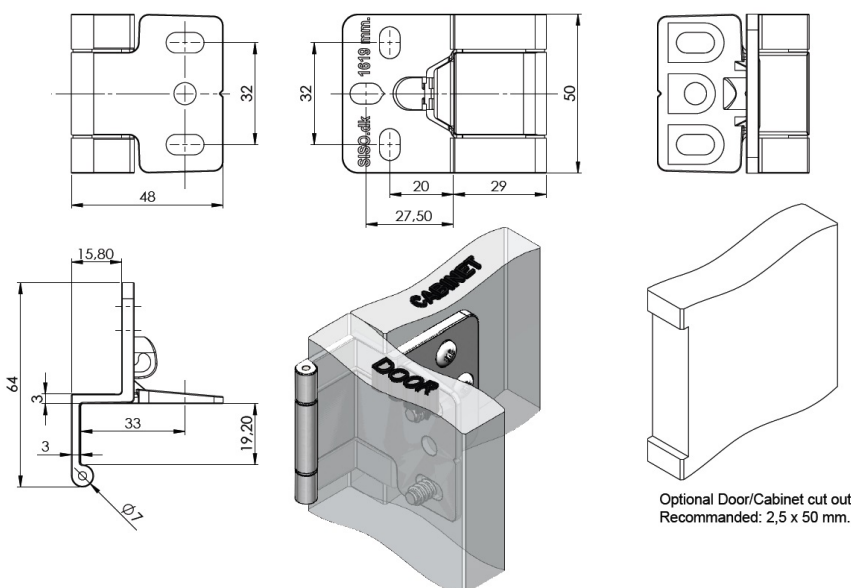
Description:

Cabinet Hinge "Easy",F/Overlay Doors,BLK,F/16mm Panel & 19mm Door, W/Catch, Zamak Body & Stainless Steel Axle ,Incl. 5, Black SS Euro Screws $\varnothing 6,3 \times 16$ mm, Min. 180DG Opening

Item number:

15.04.141-0

Units	Box	Carton	HS Code	Barcode
Pcs.	10	100	8302100090	 5704866500388



SISO A/S

Mileparken 11
DK-2740 Skovlunde
Denmark
VAT: DK 24786013

Phone +45 45 830 900

www.siso.dk
siso@siso.dk

Danske Bank
Nytovr Branch
Copenhagen
SWIFT: DABADKKK

Account no.
4180 3112 112936
IBAN Account
DK7230003112112936