


PRODUCT SHEET

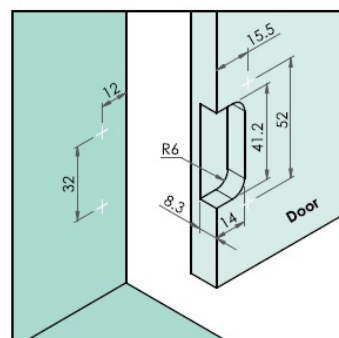
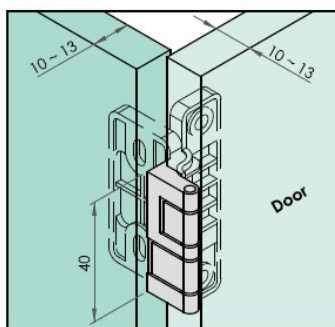
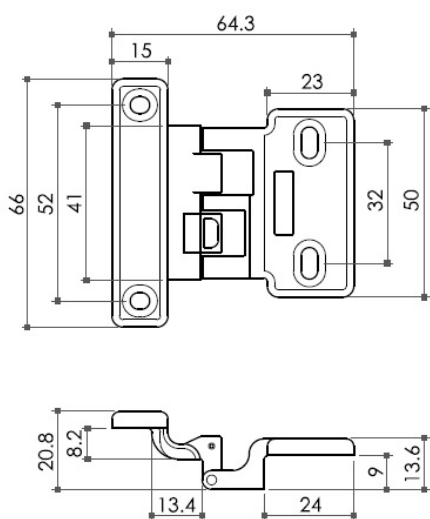
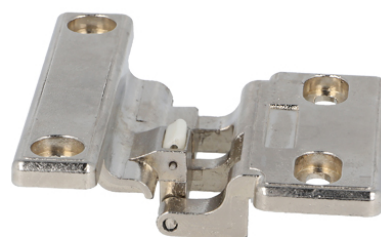
Description:

Wide Opening Hinge 240 DG,F/10-13mm Panel, NPL, 3,5mm Over- Lay, W/Catch, Zamak Body & Hardend Steel Axel

Item number:

15.04.100-0

Units	Box	Carton	HS Code	Barcode
Pcs.	50	200	8302100090	
				5704866469340



SISO A/S

Mileparken 11
DK-2740 Skovlunde
Denmark
VAT: DK 24786013

Phone +45 45 830 900

www.siso.dk
siso@siso.dk

Danske Bank
Nytorv Branch
Copenhagen
SWIFT: DABADKKK

Account no.
4180 3112 112936
IBAN Account
DK7230003112112936