


PRODUCT SHEET

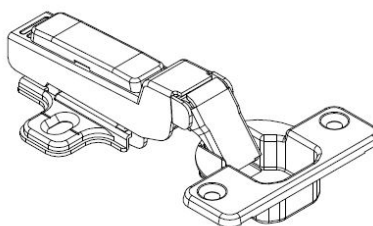
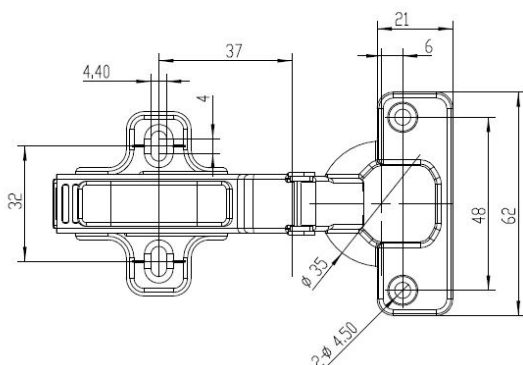
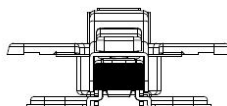
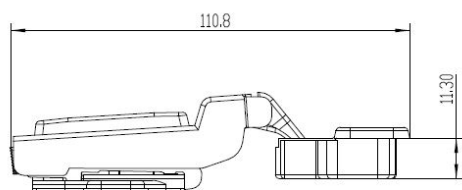
Description:

Maxi Hinge "B", Clip-On, 100DG, NPL, $\varnothing 35$ mm, H=0, W/Plate F/ Wood Screws, Cup: cc:48mm, Half-Overlay, W/SISO Name Plate,, Can Be Used Together With 15.03.732-5

Item number:

15.03.736-0

Units	Box	Carton	HS Code	Barcode
Pcs.	1	100	8302100090	
				5704866053228



SISO A/S

Mileparken 11
DK-2740 Skovlunde
Denmark
VAT: DK 24786013

Phone +45 45 830 900

www.siso.dk
siso@siso.dk

Danske Bank
Nytorv Branch
Copenhagen
SWIFT: DABADKKK

Account no.
4180 3112 112936
IBAN Account
DK7230003112112936