


PRODUCT SHEET

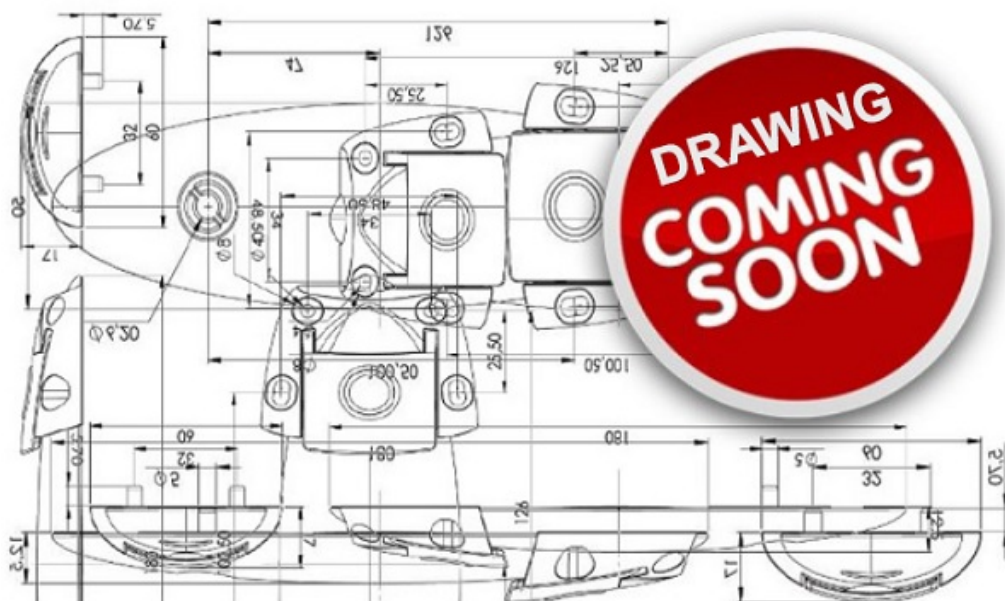
Description:

Front Cover ø30mm, PA, CPL, F/15.01.720/721/722-0 & 701/711, W/Ring Part & Fixing Screws

Item number:

15.01.820-0

Units	Box	Carton	HS Code	Barcode
Pcs.	100	500	3908900090	 5704866052498



SISO A/S
Mileparken 11
DK-2740 Skovlunde
Denmark
VAT: DK 24786013

Phone +45 45 830 900
www.siso.dk
siso@siso.dk

Danske Bank
Nytorv Branch
Copenhagen
SWIFT: DABADKKK

Account no.
4180 3112 112936
IBAN Account
DK7230003112112936