


PRODUCT SHEET

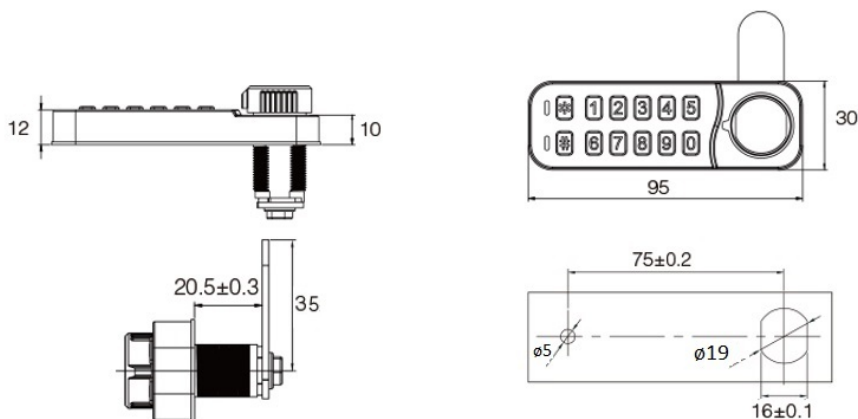
Description:

Elec. Combi. Cam Lock, "VIC", $\varnothing 19 \times 20 \text{mm}$, Horizontal, LH, Black All Zamak, Public/Private, W/Master Key System #07, 3 Level, Management, W/Auto-timer Function, IP65 Rating, Powered by, CR2450 Button Battery, 30.000 Cycles, CE, REACH and Rohs, Certified

Item number:

14.60.425-0

| Units | Box | Carton | HS Code | Barcode |
|-------|-----|--------|------------|---|
| Pcs. | 1 | 25 | 8301300000 |  5704866509251 |



Horizontal