


# PRODUCT SHEET

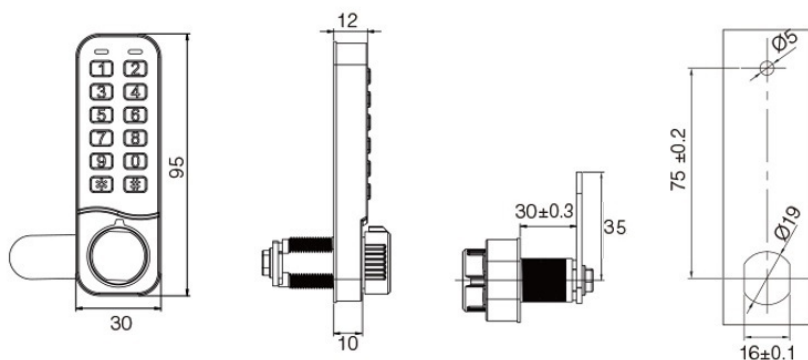
## Description:

Elec. Combi. Cam Lock, "VIC",  $\varnothing 19 \times 30 \text{mm}$ , Vertical, Uni, White All Zamak, Public/Private, W/Master Key System #07, 3 Level, Management, W/Auto-timer Function, IP65 Rating, Powered by, CR2450 Button Battery, 30.000 Cycles, CE, REACH and Rohs, Certified, Universal - No right hand or left hand

## Item number:

14.60.416-0

Units	Box	Carton	HS Code	Barcode
Pcs.	1	50	8301300000	 5704866509220



Vertical