


PRODUCT SHEET

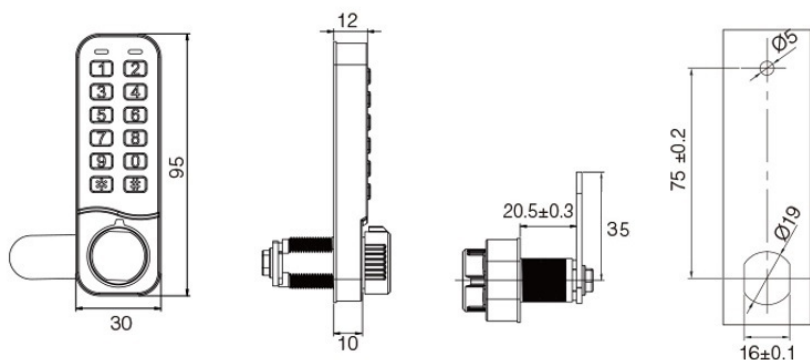
Description:

Elec. Combi. Cam Lock, "VIC", $\varnothing 19 \times 20 \text{mm}$, Vertical, Uni, White All Zamak, Public/Private, W/Master Key System #07, 3 Level, Management, W/Auto-timer Function, IP65 Rating, Powered by, CR2450 Button Battery, 30.000 Cycles, CE, REACH and Rohs, Certified, Universal - No right hand or left hand

Item number:

14.60.411-0

Units	Box	Carton	HS Code	Barcode
Pcs.	1	49	8301300000	 5704866509206



Vertical