


PRODUCT SHEET

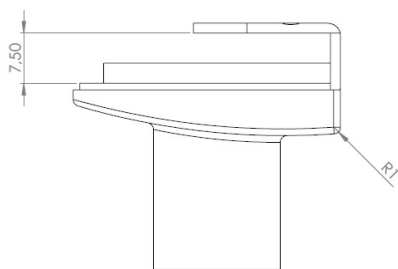
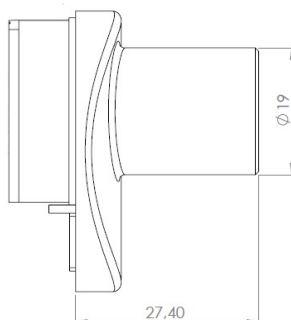
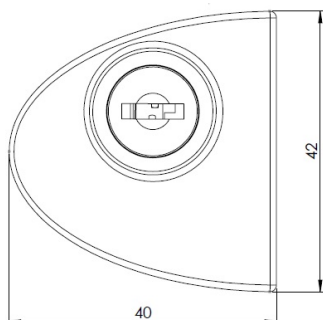
Description:

Glass Door Lock "Badge", F/Double Doors, CPL, MIC#J11 W/Master Key & Interchangeable System #11, W/ 2 SISO Oval, Metal Keys, 400 KD, W/2 Black ABS Plastic Screws W/PVC Tip,, 1 CPL Flat Oval Metal Striking Pl., F/Glass Thickness 4-5mm

Item number:

14.09.545-0

Units	Box	Carton	HS Code	Barcode
Pcs.	12	240	8301300000	 5704866049153



SISO A/S

Mileparken 11
DK-2740 Skovlunde
Denmark
VAT: DK 24786013

Phone +45 45 830 900

www.siso.dk
siso@siso.dk

Danske Bank
Nytorv Branch
Copenhagen
SWIFT: DABADKKK

Account no.
4180 3112 112936
IBAN Account
DK7230003112112936