


PRODUCT SHEET

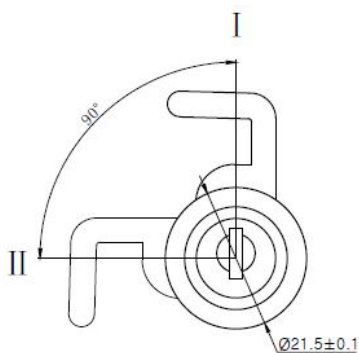
Description:

Cam Lock $\varnothing 16 \times 9,5 \text{ mm}$, 90DG, CPL, D/E, MK SISO, W/Spring Clip, 150 Key Combinations pr. Export Carton

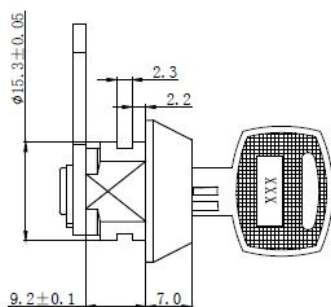
Item number:

14.08.110-1

Units	Box	Carton	HS Code	Barcode
Pcs.	50	300	8301300000	
				5704866103602



Clip



Installation hole size

