


PRODUCT SHEET

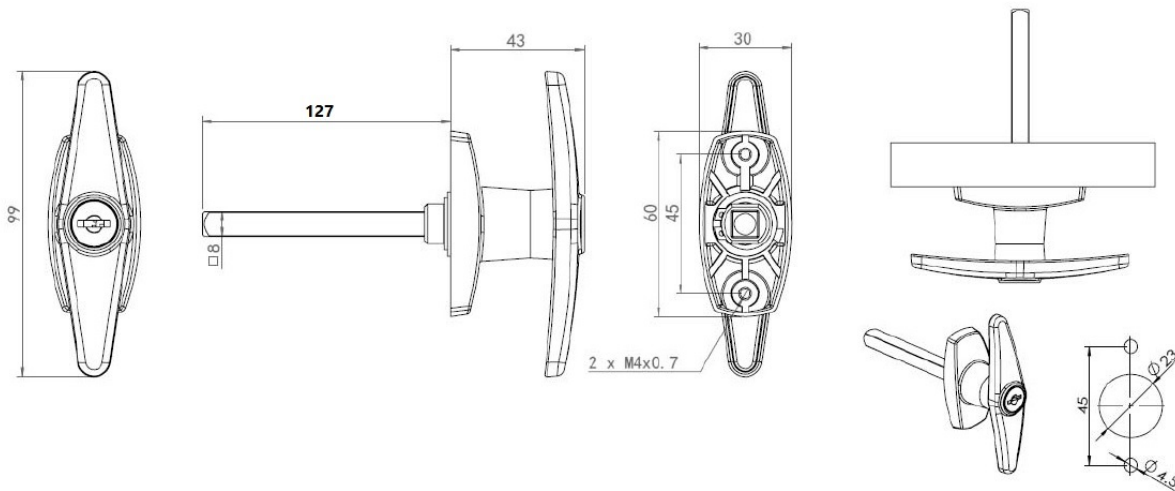
Description:

T-Handle #1821, CPL, CK SISO, Back Mounted

Item number:

14.08.054-0

Units	Box	Carton	HS Code	Barcode
Pcs.	10	80	8301300000	 5704866506045



SISO A/S

Mileparken 11
DK-2740 Skovlunde
Denmark
VAT: DK 24786013

Phone +45 45 830 900

www.siso.dk
siso@siso.dk

Danske Bank
Nytorv Branch
Copenhagen
SWIFT: DABADKKK

Account no.
4180 3112 112936
IBAN Account
DK7230003112112936