


# PRODUCT SHEET

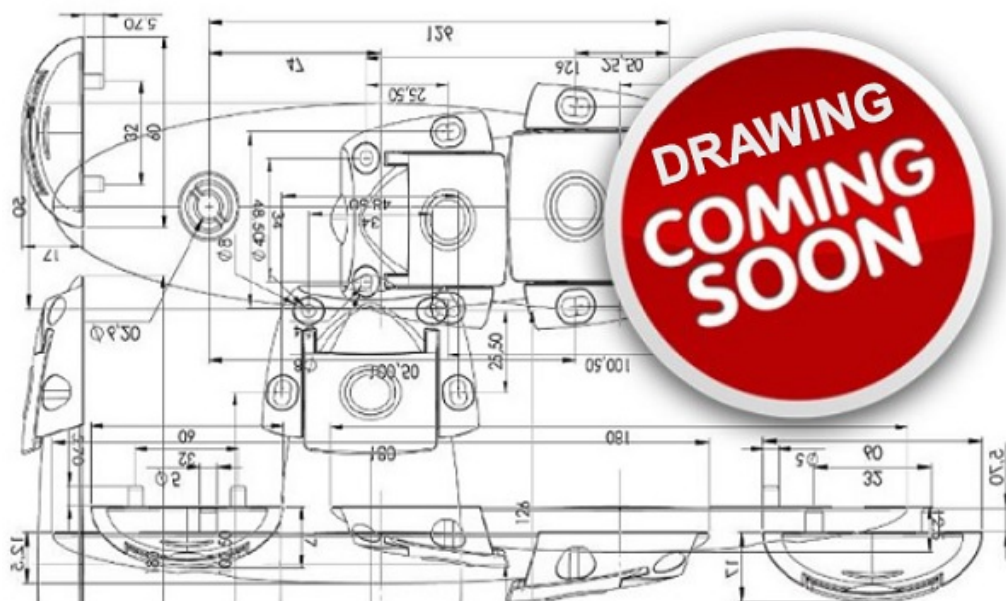
## Description:

Screw On Stop, Total Length: 20mm, Head  $\varnothing 7,5 \times 5$ mm, NPL

## Item number:

14.05.875-0

Units	Box	Carton	HS Code	Barcode
Pcs.	1000	4000	8301600090	
				5704866044172



## SISO A/S

Mileparken 11  
DK-2740 Skovlunde  
Denmark  
VAT: DK 24786013

Phone +45 45 830 900

[www.siso.dk](http://www.siso.dk)  
[siso@siso.dk](mailto:siso@siso.dk)

Danske Bank  
Nytorv Branch  
Copenhagen  
SWIFT: DABADKKK

Account no.  
4180 3112 112936  
IBAN Account  
DK7230003112112936