


PRODUCT SHEET

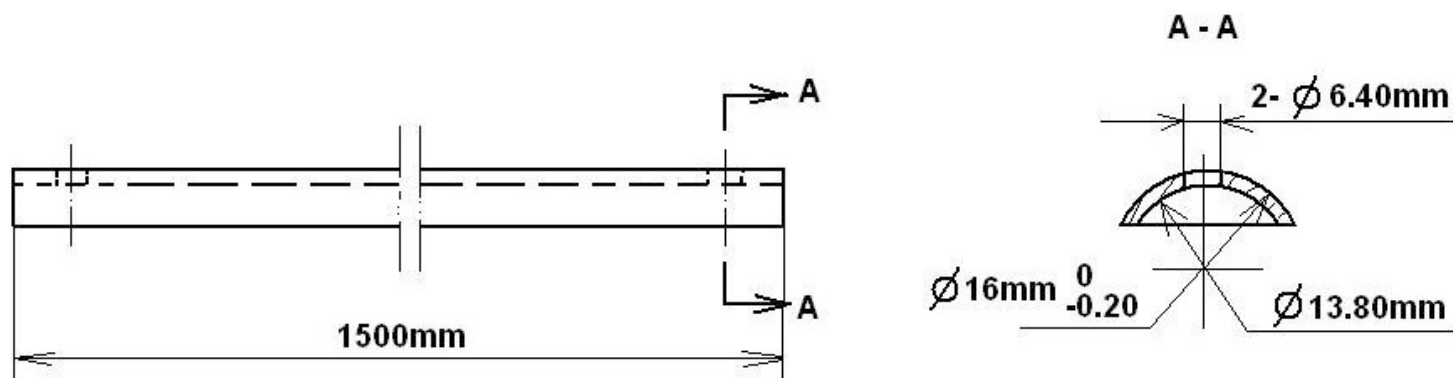
Description:

Locking Bar 1500mm, F/Pasquil Lock 844, Steel-Black Coated

Item number:

14.05.560-6

Units	Box	Carton	HS Code	Barcode
Pcs.	10	100	8301600090	 5704866464093



Material: steel

Finishing: yellow zinc plated or black plastic coated.