


PRODUCT SHEET

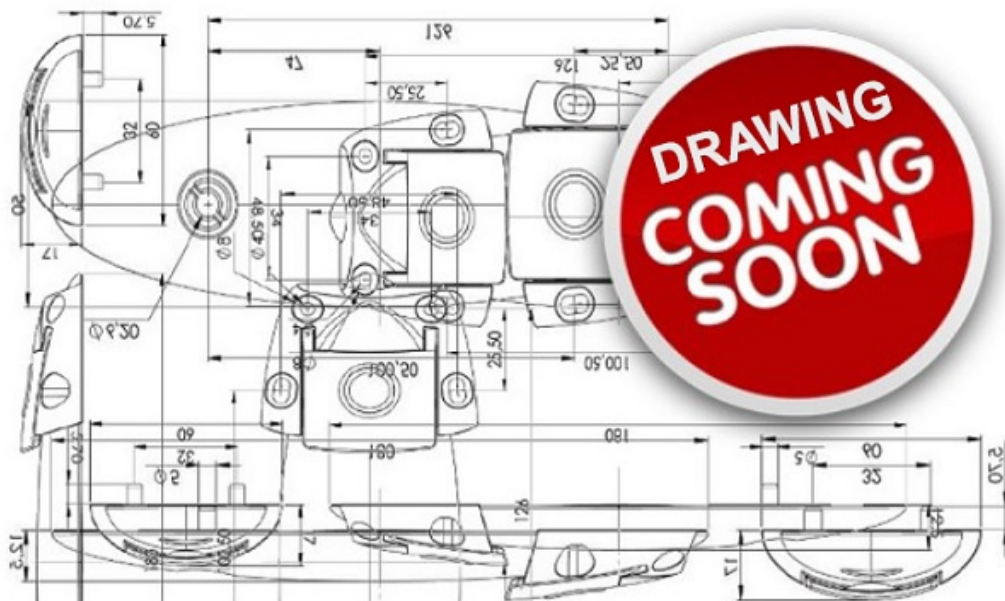
Description:

Extra Screw M5x7mm.W/Washer,F/Padl. Lock #300 (20,25 & 32mm)

Item number:

14.04.589-8

Units	Box	Carton	HS Code	Barcode
Pcs.			8301600090	 5704866511889



SISO A/S
Mileparken 11
DK-2740 Skovlunde
Denmark
VAT: DK 24786013

Phone +45 45 830 900
www.siso.dk
siso@siso.dk

Danske Bank
Nytorv Branch
Copenhagen
SWIFT: DABADKKK

Account no.
4180 3112 112936
IBAN Account
DK7230003112112936