


PRODUCT SHEET

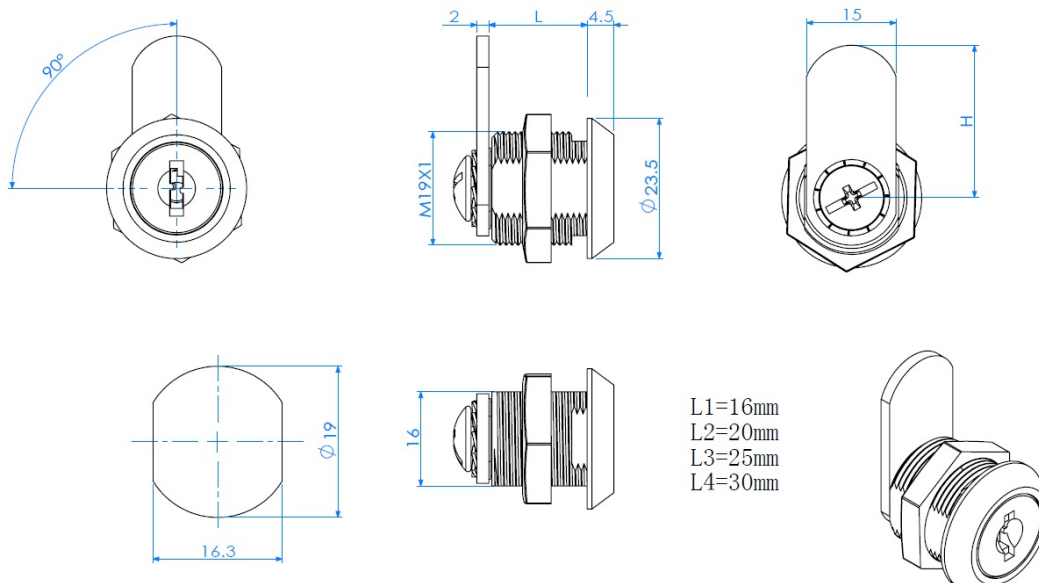
Description:

Cam Lock 1930, 90DG, Str. Cam A01, CPL, KA D20, CK SISO, W/ Plastic Washer

Item number:

14.04.498-6

Units	Box	Carton	HS Code	Barcode
Pcs.	12	240	8301300000	
				5704866454032



SISO A/S

Mileparken 11
DK-2740 Skovlunde
Denmark
VAT: DK 24786013

Phone +45 45 830 900

www.siso.dk
siso@siso.dk

Danske Bank
Nytorv Branch
Copenhagen
SWIFT: DABADKKK

Account no.
4180 3112 112936
IBAN Account
DK7230003112112936