


# PRODUCT SHEET

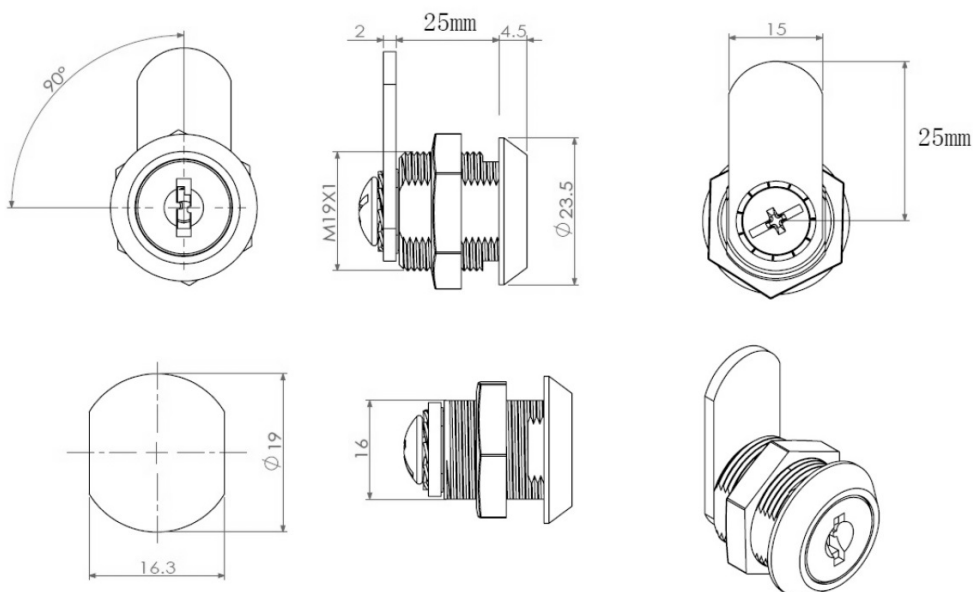
**Description:**

Cam Lock M1925S, 90DG, Cam No. A01,CPL,Snake MK SISO,#01 With Full Thread, Master Key System #01

**Item number:**

14.04.496-5

Units	Box	Carton	HS Code	Barcode
Pcs.	25	50	8301300000	 5704866515276



**SISO A/S**

Mileparken 11  
DK-2740 Skovlunde  
Denmark  
VAT: DK 24786013

Phone +45 45 830 900

[www.siso.dk](http://www.siso.dk)  
[siso@siso.dk](mailto:siso@siso.dk)

Danske Bank  
Nytorv Branch  
Copenhagen  
SWIFT: DABADKKK

Account no.  
4180 3112 112936  
IBAN Account  
DK7230003112112936