


PRODUCT SHEET

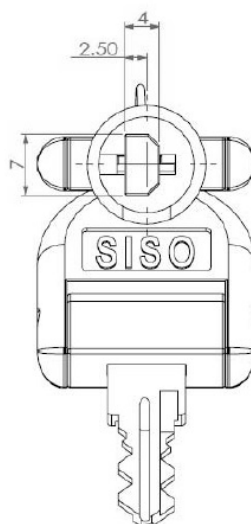
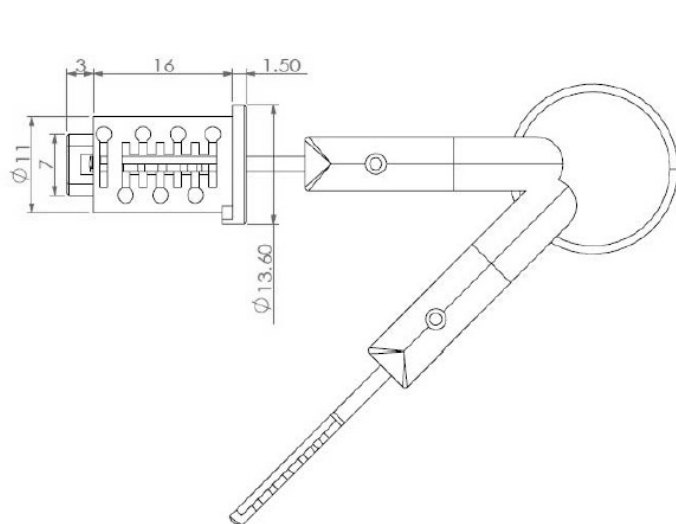
Description:

Loose MIC Cylinder #J11, KA#G07, NPL, HCK SISO

Item number:

14.03.801-7

| Units | Box | Carton | HS Code | Barcode |
|-------|-----|--------|------------|---|
| Pcs. | 10 | 50 | 8301600090 |  5704866035378 |



SISO A/S

Mileparken 11
DK-2740 Skovlunde
Denmark
VAT: DK 24786013

Phone +45 45 830 900

www.siso.dk
siso@siso.dk

Danske Bank
Nytorv Branch
Copenhagen
SWIFT: DABADKKK

Account no.
4180 3112 112936
IBAN Account
DK7230003112112936