


PRODUCT SHEET

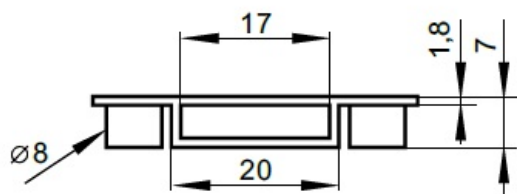
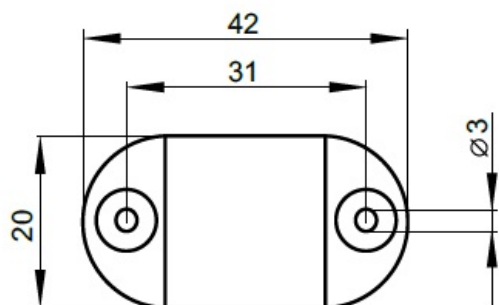
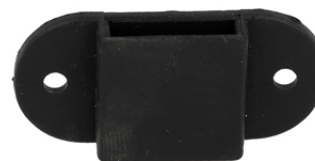
Description:

Plastic Bar Guide F/Lyre, No.1018-22, Black Plastic

Item number:

14.03.287-0

Units	Box	Carton	HS Code	Barcode
Pcs.	1	500	3926300090	 5704866107655



SISO A/S

Mileparken 11
DK-2740 Skovlunde
Denmark
VAT: DK 24786013

Phone +45 45 830 900

www.siso.dk
siso@siso.dk

Danske Bank
Nytorv Branch
Copenhagen
SWIFT: DABADKKK

Account no.
4180 3112 112936
IBAN Account
DK7230003112112936