


# PRODUCT SHEET

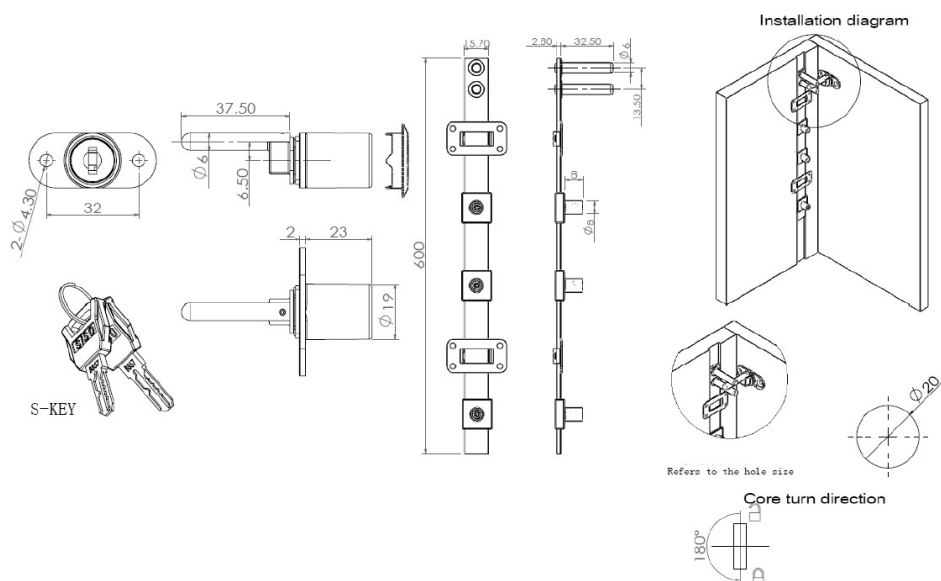
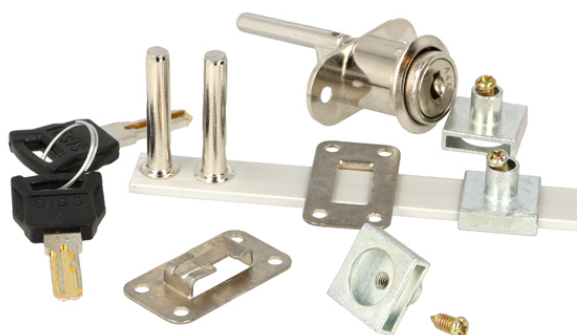
## Description:

Cent. Lock MIC1018S/600mm,NPL,ø19x23mm,40mm T,Snake CK SISO, System #01, Complete With 1x600mm Locking Bar, 2xMetal Bar, Guides & 3x8mm Pegs

## Item number:

14.03.127-8

Units	Box	Carton	HS Code	Barcode
Pcs.	24	120	8301300000	
				5704866463164



## SISO A/S

Mileparken 11  
DK-2740 Skovlunde  
Denmark  
VAT: DK 24786013

Phone +45 45 830 900

[www.siso.dk](http://www.siso.dk)  
[siso@siso.dk](mailto:siso@siso.dk)

Danske Bank  
Nytorv Branch  
Copenhagen  
SWIFT: DABADKKK

Account no.  
4180 3112 112936  
IBAN Account  
DK7230003112112936