


# PRODUCT SHEET

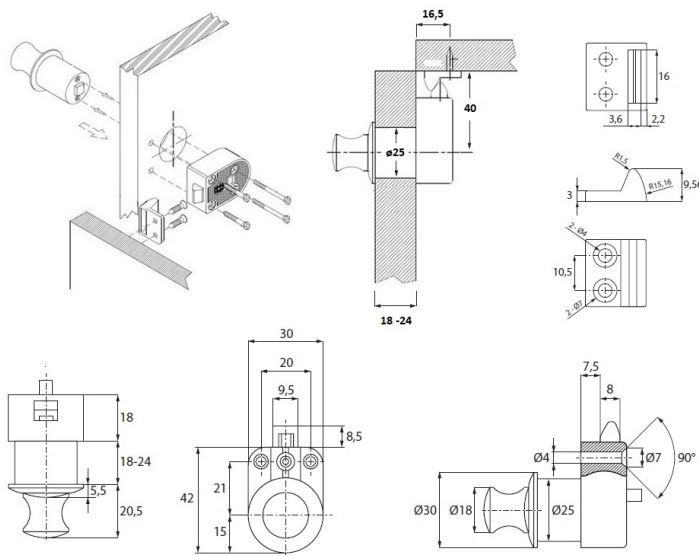
## Description:

Push Lock "CAMP", F/18-24mm, CPL, Zamak Knob & Plastic Body - Black, Incl. Plastic Striker in Black & Fixing Screws, 2, Extra Screws F/Panel Thickness Extension, W/Slam Function

## Item number:

14.03.055-0

Units	Box	Carton	HS Code	Barcode
Pcs.	20	200	8301300000	
				5704866477864



## SISO A/S

Mileparken 11  
DK-2740 Skovlunde  
Denmark  
VAT: DK 24786013

Phone +45 45 830 900

www.siso.dk  
siso@siso.dk

Danske Bank  
Nytorv Branch  
Copenhagen  
SWIFT: DABADKKK

Account no.  
4180 3112 112936  
IBAN Account  
DK7230003112112936