


# PRODUCT SHEET

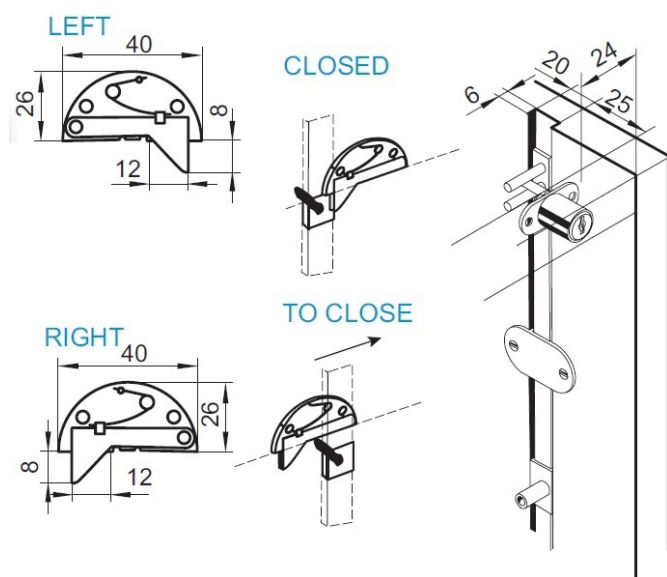
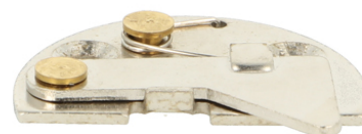
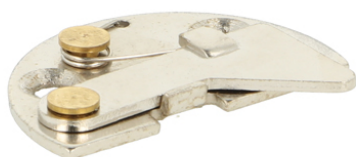
## Description:

Drawer Stop 913-B, Left Hand Side Of Drawer, Steel, NPL

## Item number:

14.02.030-1

| Units | Box | Carton | HS Code    | Barcode   |
|-------|-----|--------|------------|---|
| Pcs.  | 500 | 1500   | 8302420090 | <br>5704866033848 |



## SISO A/S

Mileparken 11  
DK-2740 Skovlunde  
Denmark  
VAT: DK 24786013

Phone +45 45 830 900

[www.siso.dk](http://www.siso.dk)  
[siso@siso.dk](mailto:siso@siso.dk)

Danske Bank  
Nytorv Branch  
Copenhagen  
SWIFT: DABADKKK

Account no.  
4180 3112 112936  
IBAN Account  
DK7230003112112936