


PRODUCT SHEET

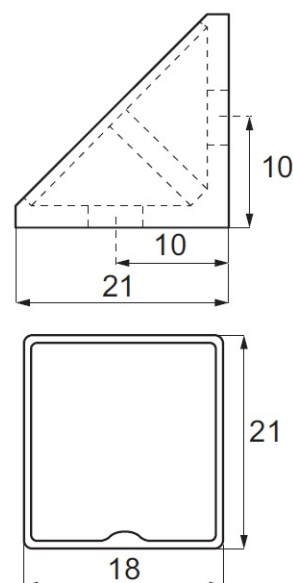
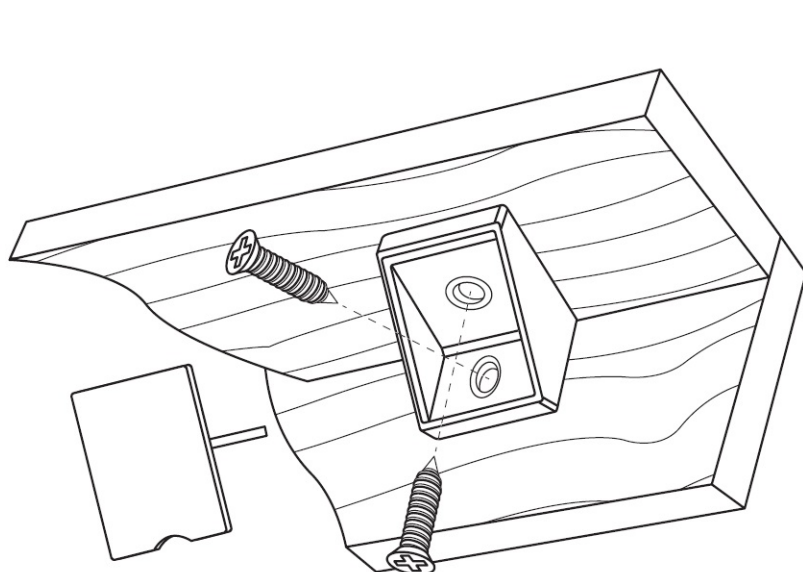
Description:

Corner Fix #100 PP Plast, Mini, Light Brown, W/Cover

Item number:

11.05.220-1

Units	Box	Carton	HS Code	Barcode
Pcs.	200	2000	3902100090	 5704866014205



SISO A/S

Mileparken 11
DK-2740 Skovlunde
Denmark
VAT: DK 24786013

Phone +45 45 830 900

www.siso.dk
siso@siso.dk

Danske Bank
Nytorv Branch
Copenhagen
SWIFT: DABADKKK

Account no.
4180 3112 112936
IBAN Account
DK7230003112112936