


# PRODUCT SHEET

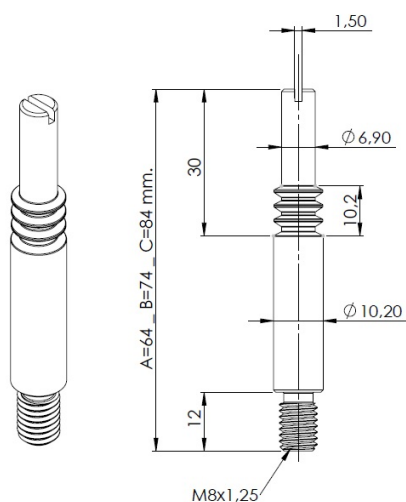
## Description:

84mm Dowel Fuerte,  $\varnothing$  11mm x 72mm + M8 x 12mm, Steel BZP

## Item number:

11.03.625-3

Units	Box	Carton	HS Code	Barcode
Pcs.	1	400	7318190090	
				5704866012607



A	11.03.620-4
B	11.03.621-2
C	11.03.625-3

## SISO A/S

Mileparken 11  
DK-2740 Skovlunde  
Denmark  
VAT: DK 24786013

Phone +45 45 830 900

www.siso.dk  
siso@siso.dk

Danske Bank  
Nytorv Branch  
Copenhagen  
SWIFT: DABADKKK

Account no.  
4180 3112 112936  
IBAN Account  
DK7230003112112936