


PRODUCT SHEET

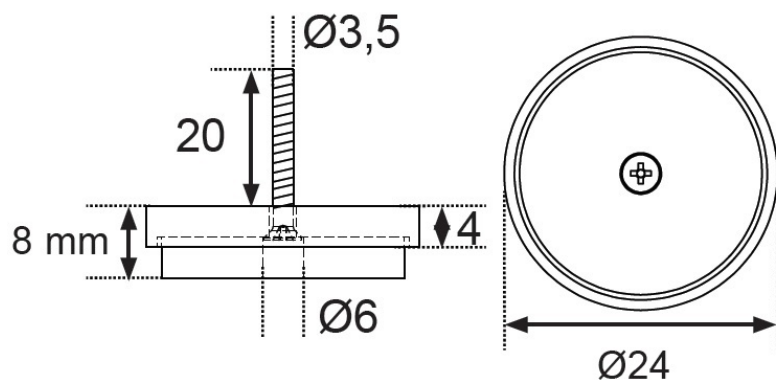
Description:

Plastic Tack W/Felt, Screw-On Glide, \varnothing 24x8mm, White, Screw \varnothing 3,5 x 20mm

Item number:

10.25.105-0

Units	Box	Carton	HS Code	Barcode
Pcs.	100	2000	3926300090	 5704866103640



SISO A/S

Mileparken 11
DK-2740 Skovlunde
Denmark
VAT: DK 24786013

Phone +45 45 830 900

www.siso.dk
siso@siso.dk

Danske Bank
Nytorv Branch
Copenhagen
SWIFT: DABADKKK

Account no.
4180 3112 112936
IBAN Account
DK7230003112112936