


# PRODUCT SHEET

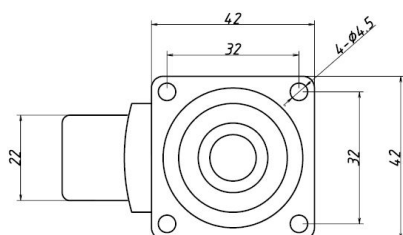
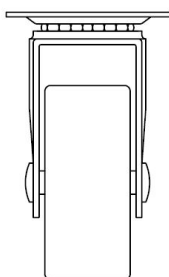
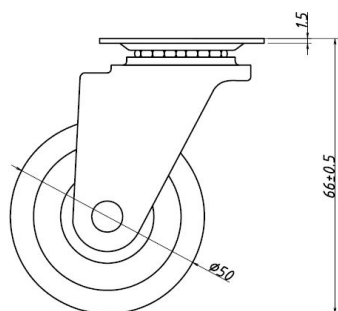
## Description:

Fork Castor "Caesar" ø50mm, Grey PU Tyre, W/Top Plate 42x42 mm, cc:32x32mm, ø4,8mm Screw Holes, All Metal Zinc Plated, , Mounthing Height:66mm, Dynamic Load Capacity 35kg,, Static: 60kg

## Item number:

08.12.230-1

Units	Box	Carton	HS Code	Barcode
Pcs.	40	120	8302200090	 5704866486088



## SISO A/S

Mileparken 11  
DK-2740 Skovlunde  
Denmark  
VAT: 24786013

Phone +45 45 830 900

[www.siso.dk](http://www.siso.dk)  
[siso@siso.dk](mailto:siso@siso.dk)

Danske Bank  
Nytorv Branch  
Copenhagen  
SWIFT: DABADKKK

Account no.  
4180 3112 112936  
IBAN Account  
DK7230003112112936